



**be different.
make a difference.**

Company Presentation

We are next to you.



Key facts:

- manufacturer in USA, EU & Asia
- local account & application managers
- worldwide ERP management (SAP)

asa hydraulik GmbH
R&D center Vienna



asa technology Produktions-
und Vertriebs GmbH Vienna



asa hydraulik Technology
(Suzhou) Co., Ltd. China



asa hydraulik of America, Inc.



asa hydraulik do Brasil



asa heat exchangers Pvt Ltd



asa Products Pty Ltd AUS.



Be inspired.



our engineering mindset:

1980 standardized



Quality through standardization!



2000 flexible



A step ahead flexibility!



2017 unlimited



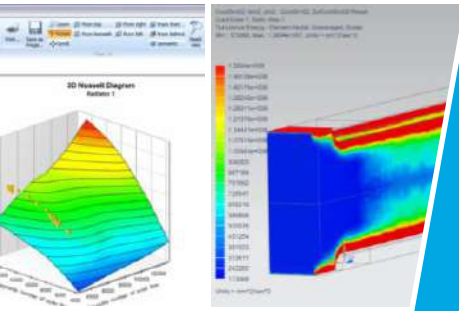
Changing limits!



product development structure

Design and Simulation...

- finite elements analysis
- „KULI“ cooling network optimization
- „Simcenter“ computational fluid dynamics (CFD) thermal and flow simulations.



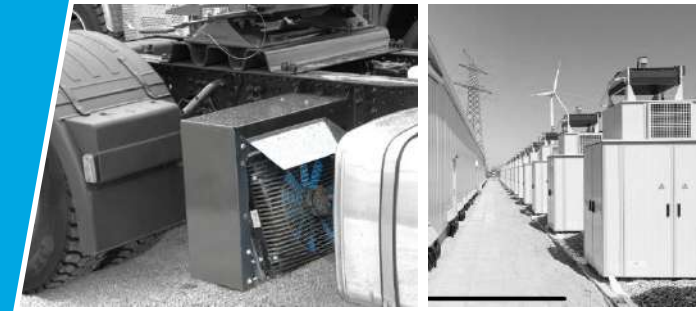
Validation and Testing...

- performance acc. ISO 5801 / DIN EN1216,
- pressure related analysis 2014/68/EU
- material properties ISO 9227, DIN 60068/ISO16750...



Production and Operation...

- global traceability & PPM monitoring
- local assembly and warehouses
- ISO 9001:2015
- ISO 14001:2015
- ISO 45001:2018



How we support.



business development processes

Worldwide Logistics

- customized ERP connections,
- spare parts network,...



Availability

- KANBAN system control,
- fast prototyping,
- global QM standards,...



Support

- international communication
- faster than 3 days delivery program,
- > 1.000.000/a produced units!



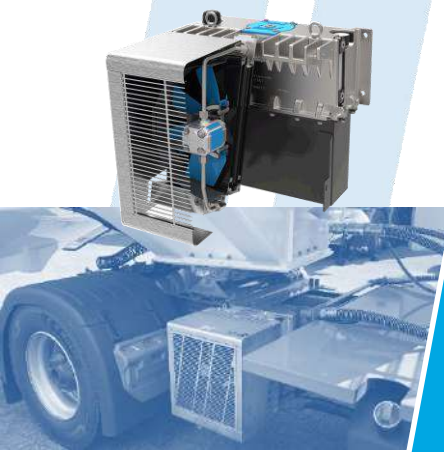
What we supply.



product portfolio

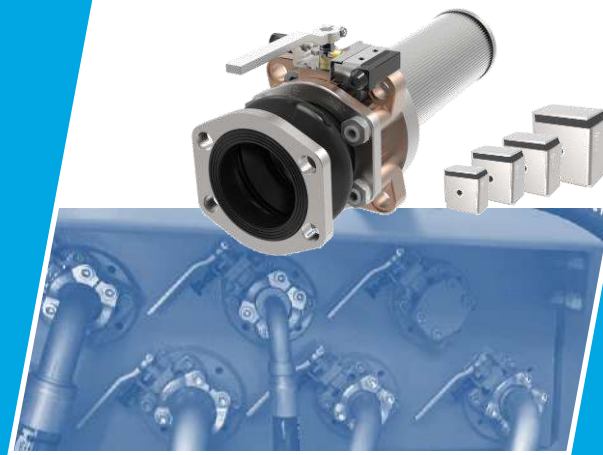
Thermal Systems

- Plate & bar fluid/air
- Tube flex fluid/air
- Cold plate solid/fluid
- Shell tube fluid/fluid



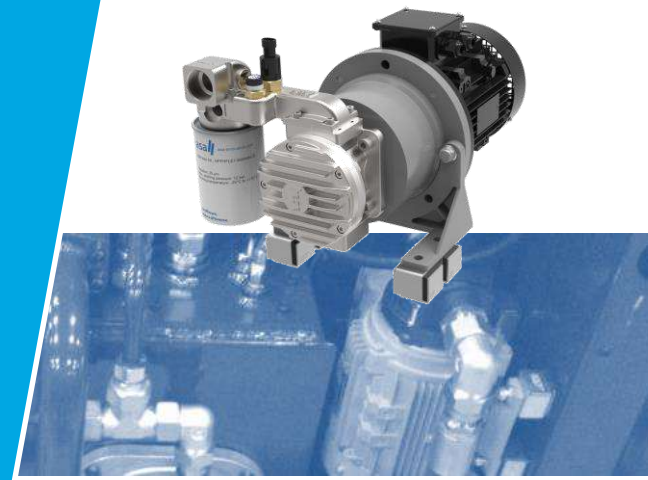
Connection Technology

- Shut off valves
- Expansion joints
- Vibration absorbers



Fluid Controls

- Oil Pumps
- Water Pumps



heat exchanger designs

Plate & Bar



- fluid to air
- brazed & welded
- louvered, wavy or herringbone air fins

Tube Flex



- fluid to air
- flexible air fin angle
- any shape of cooler

Cold Plate



- solid to fluid
- electronic heat transfer
- light plate design

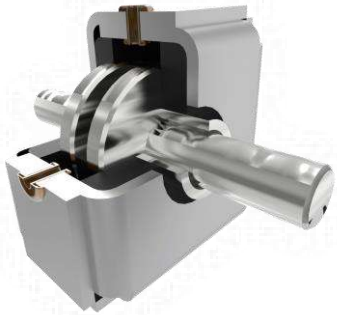
Shell Tube Hybrid



- fluid to fluid
- variable materials
- fouling resistant

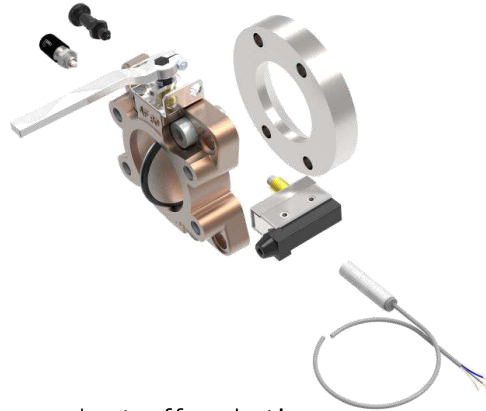
solutions for challenging connection spots

Vibration Control



- rubber/metal damper
- durable shear load control
- steel wire systems

Valves



- shut off solutions
- monitoring options
- aluminium, cast and stainless steel designs

High & low pressure joints



- rubber expansion joints
- 16bar rating
- durable wire flange design

fluid care, maintenance and control

Gerotor 1 Pump



- gerotor technology
- low pulsation
- direct IEC flange

Gerotor 2 motor/pump



- internal or external bypass
- flexible connections
- connection system to filters

water centrifugal pumps



- brushless motor technology
- PWM control signal
- large e-cooling range

We produce...

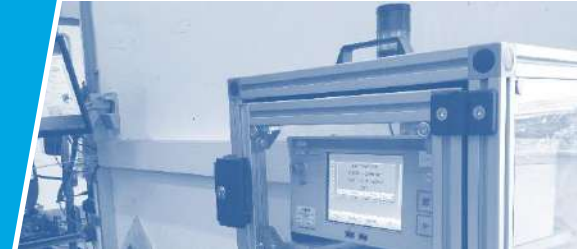


...with high environmental responsibility

- air-conditioned punch- and stacking halls
- automatic cleaning and drying machine

- vacuum brazing
- robot welding

- 100% pressurized digital leak test
- in house painting line



We supply worldwide applications.



Mobile



on- and off highway



agricultural and forestry machinery



construction and mining equipment



material handling



engine cooling

Industrial



power transmission & gearboxes



lifting and municipal vehicles



compressors & air industry



forming and machining tools



oil & gas industry, marine equipment

Green Energy



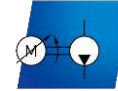
transformer and e-cooling



renewable and power generation



recycling and waste treatment



power units

We work with...



references overview



Get in contact!

www.asa-innovation.com
support@asa-innovation.com
+43 1 292 40 20



AUSTRIA

asa hydraulik GmbH
R&D center
Prager Strasse 280
A-1210, Vienna

CHINA

asa Technology (Suzhou) Co. Ltd.
Jiangsu Suzhou Industrial Park
Fangzhou Road No 128,
area 6, building B

INDIA

asa heatexchanger Pvt Ltd
Plot no.1226, Phase-3 GIDC, Vatva
Ahmedabad-382445

BRASIL

asa hidráulica Ltda
Rua Maria Fett 96, 03263-000 Vil Mercedes
São Paulo, SP

AUSTRIA

asa technology Produktions-
und Vertriebs GmbH
Prager Strasse 241-243
A-1210, Vienna

USA

asa hydraulik of America
160 Meister Avenue 20 A
Branchburg, New Jersey 08876

AUSTRALIA

asa Products Pty Ltd
Quinlan Road 23
3076 Epping, Victoria

