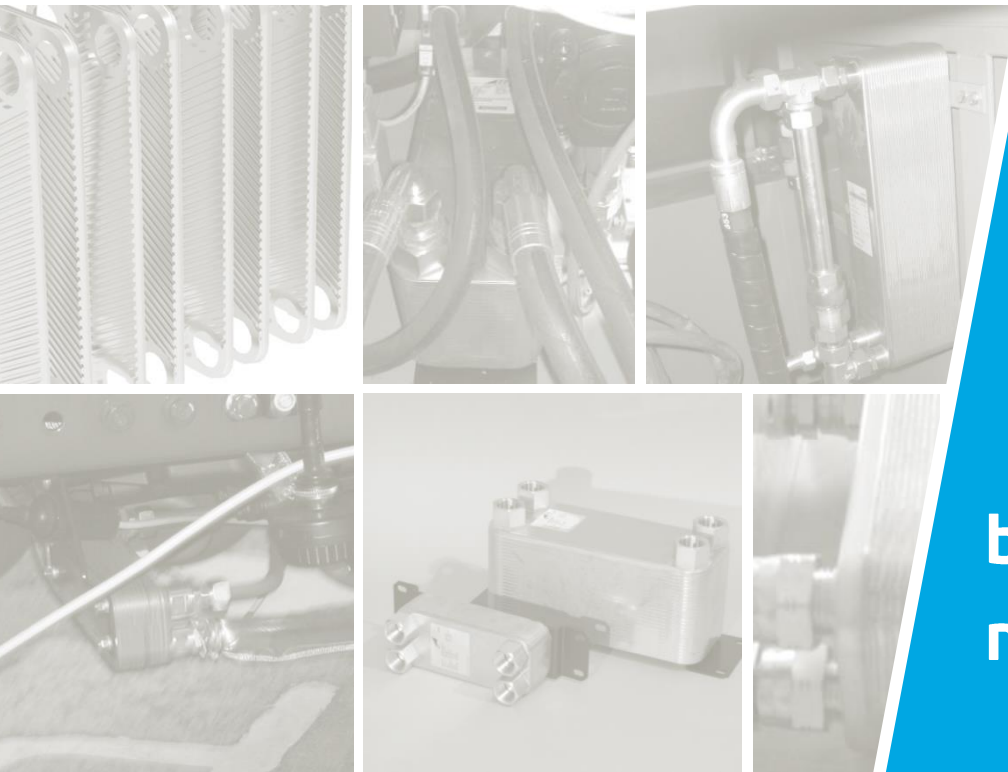




Thermal Systems/Special Ranges E-Series / Plate Heat Exchangers



**be different.
make a difference.**

Special Ranges

Brazed Plate Heat Exchangers / E-Series



Construction

The Plate Heat Exchangers ASA-PL is designed for hydraulic fluid and lubricating. The benefits of plate heat exchangers are:

- strength
- installation dimension
- efficiency
- low maintenance

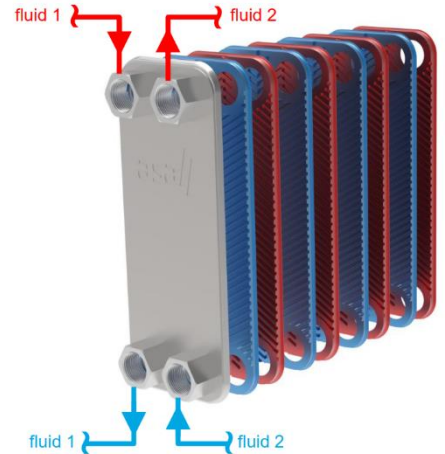
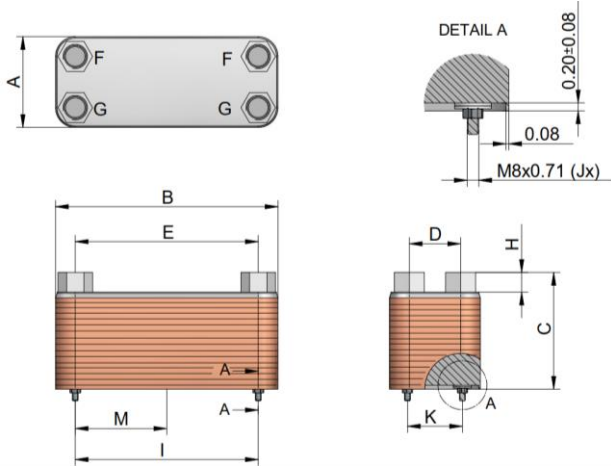
Design

The structure of the ASA-PL cooling surfaces are thin, profiled plates made of acid-proof stainless steel (1.4401) to make the heat exchanger compact and powerful. The plates have a profile that separate the water and oil channels in a way that achieves optimum heat transfer with a cover plate on each side. The entire heat exchanger is brazed together at the outer edges and at the inner points of contact. The cooler can be installed in a feed pump circuit and in return lines with large pressure variations. This product is also suitable for water, air and gas cooling.

Standard Range

Our standard range of plate heat exchanger covers a large field of applications to ensure you competitive pricing, high quality and short delivery times. Contact us for more information and non-standard coolers to work out the optimal solution for you.

Dimensions



material

plates	steel 1.4401
cover plates	steel 1.4306
connectors	steel 1.4306
solder	copper

temperature

working temperature range	-256°F to +392°F
---------------------------	------------------

pressure

test pressure	624 PSI
max. pressure	435 PSI

Technical data

order number	description	A	B	C	D	E	F	G	H	I	J	K	M	weight
		[in]	[in]	[in]	[in]	[in]			[in]	[in]	#bolt	[in]	[in]	[lbs]
ILWPL10014EKU00	ASA – PL 10-14 E	2.87	8.07	2.30	1.65	6.77	NPT ½"	NPT ½"	0.79	4.72	2	-	-	2.7
ILWPL20020EKU00	ASA – PL 20-20 E	3.15	7.64	2.99	1.57	6.06	NPT ¾"	NPT ¾"	0.79	5.91	2	-	-	3.9
ILWPL22030EKU00	ASA – PL 22-30 E	4.17	12.05	4.37	1.97	9.84	NPT 1"	NPT ¾"	1.06	9.84	4	1.57	-	11.3
ILWPL22060EKU00	ASA – PL 22-60 E	4.17	12.05	7.18	1.97	9.84	NPT 1"	NPT ¾"	1.06	9.84	4	1.57	-	18.9
ILWPL40050EKU00	ASA – PL 40-50 E	4.88	11.97	6.24	2.76	9.84	NPT 1"	NPT 1"	1.06	9.84	4	2.95	-	19.0
ILWPL45020EKU00	ASA – PL 45-20 E	4.17	20.55	3.35	1.97	18.35	NPT 1"	NPT 1"	1.06	17.72	4	2.95	-	15.2
ILWPL45060EKU00	ASA – PL 45-60 E	4.17	20.55	7.11	1.97	18.35	NPT 1"	NPT 1"	1.06	17.72	4	2.95	-	33.3
ILWPL53020EKU00	ASA – PL 53-20 E	4.88	19.84	3.47	2.52	17.48	NPT 1"	NPT 1"	1.06	17.72	4	2.95	-	18.3
ILWPL53040EKU00	ASA – PL 53-40 E	4.88	19.84	5.34	2.52	17.48	NPT 1"	NPT 1"	1.06	17.72	4	2.95	-	28.4
ILWPL53060EKU00	ASA – PL 53-60 E	4.88	19.84	7.22	2.52	17.32	NPT 1"	NPT 1"	1.06	17.72	4	2.95	-	38.6
ILWPL65030EKU00	ASA – PL 65-30 E	7.32	24.13	4.45	3.62	20.43	NPT 1½"	NPT 1½"	1.06	21.26	6	4.72	10.63	41.9
ILWPL65060EKU00	ASA – PL 65-60 E	7.32	24.13	7.28	3.62	20.43	NPT 1½"	NPT 1½"	1.06	21.26	6	4.72	10.63	68.6
ILWPL70020EKU00	ASA – PL 70-20 E	9.69	20.79	3.50	6.85	17.95	NPT 1½"	NPT 1½"	1.06	16.54	6	5.91	8.27	39.4
ILWPL70060EKU00	ASA – PL 70-60 E	9.69	20.79	7.28	6.85	17.95	NPT 1½"	NPT 1½"	1.06	16.54	6	5.91	8.27	81.7
ILWPL70120EKU00	ASA – PL 70-120 E	9.69	20.79	12.95	6.85	17.95	NPT 1½"	NPT 1½"	1.06	16.54	6	5.91	8.27	145.2
ILWPL70160EKU00	ASA – PL 70-160 E	9.69	20.79	16.85	6.85	17.95	NPT 1½"	NPT 1½"	1.06	16.54	6	5.91	8.27	199.8

This data sheet and the corresponding scale drawings are to be used as a general guideline and technical overview of our products. Please contact us if more exact information is needed. As we are constantly improving our products, their characteristics, dimensions and weights may also change, although we do our best to incorporate these changes continually. asa assumes no liability for any information therein, any errors, omissions, misprints, nor any direct or indirect damages, losses or costs resulting therefrom. Any cooling performances and general technical values indicated in this catalogue are measured at a test bench according to asa testing procedures or calculated, based on such tests. They represent a basis for your product selection. Due to different conditions in testing and application environments the performance may also vary by +/- 15%. All sound values are determined in accordance with ISO 9614-2, DIN EN ISO 11203 accuracy class 3 or Machinery Directive 2006/42/EG and are A-rated. At some of the performance data, possible differences to competition data are possible. The reason to that are no existing standardized testing procedures on individual subjects, e.g. for cooling performance measurements. Therefore, we recommend all products to be checked under the system operating conditions. This is also true of vibrations and mechanical stress as well as for pressure peaks and thermal stress and any other relevant factors. General tolerances according to DIN ISO 2768-VL, General tolerances for casted parts according to EN ISO 8062-3 (DCTG 10). Tolerances for rubber parts are according to ISO 3302-1 (class M4-F+C). The tolerances of welding seams are defined by quality group D according to EN ISO 10042, if it is not specified on the actual scale drawing or data sheet. Any form of liability is excluded for the information included in this datasheet. All details and calculation values are checked to the best of our ability, but these do not ensure any intrinsic product properties; due to the wide-ranging possible applications, it is advised that all technical data herewith included be confirmed through testing carried out by the end-user. asa technology Produktions- und Vertriebs GmbH reserves the right to modify the product without any separate notification. This refers to both technical data and the product itself. Furthermore, it is herewith specified that the datasheet does not substitute the corresponding scale drawings, assembly and installation guidelines, nor the operating instructions.
DD-E-series-us-rev3 © asa technology, April 2022

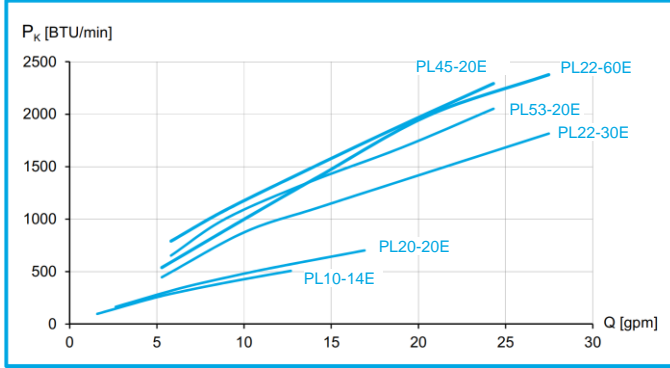
Special Ranges

Brazed Plate Heat Exchangers / E-Series

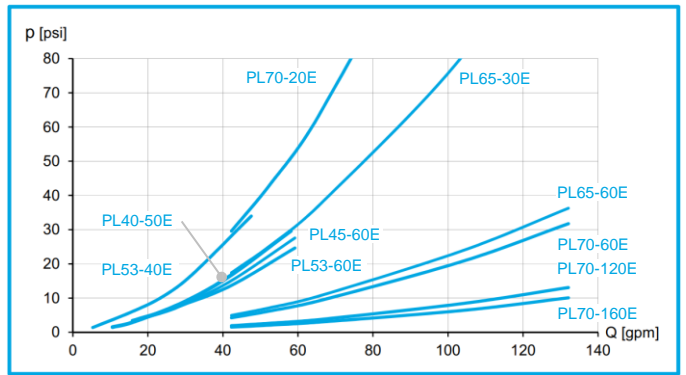
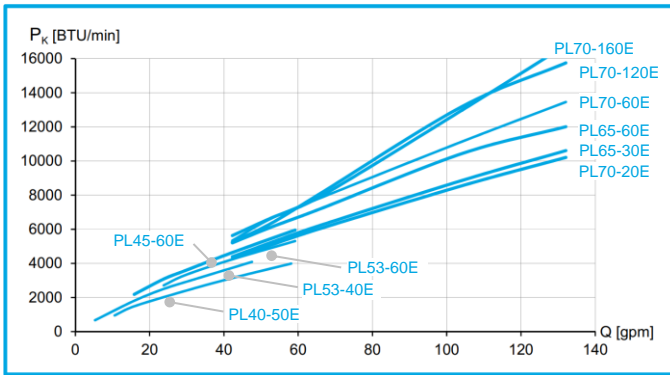
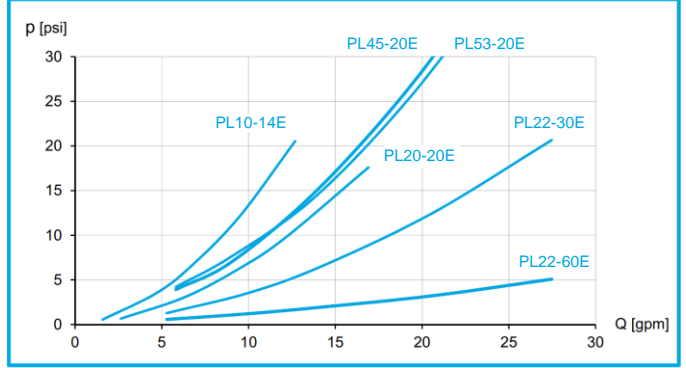


The shown performance curves are created at an oil / water ratio of 2:1 with hydraulic oil ISO VG 32 at an oil inlet temperature of 140°F and a water entrance of 68°F. Please contact us for other technical parameters to select the optimal cooler for you.

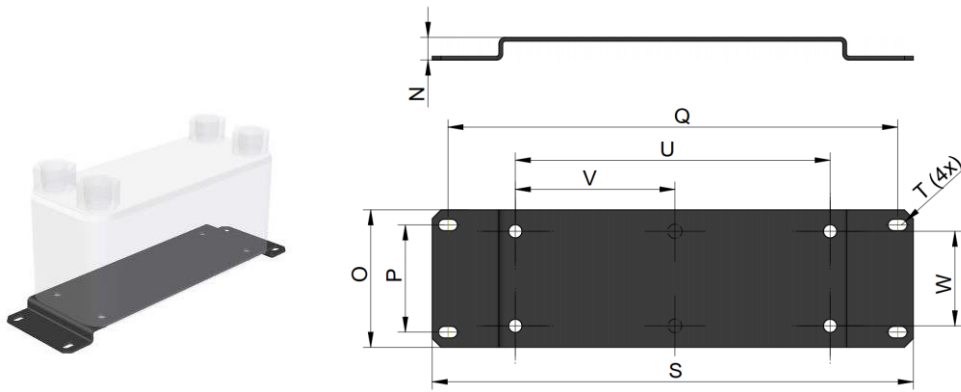
cooling performance



pressure drops (oil side)



Mounting brackets



cooler number with mounting brackets	included
ILWPL10014EPU00	ILWPZMON10U00
ILWPL20020EPU00	ILWPZMON20U00
ILWPL22030EPU00	ILWPZMON22U00
ILWPL22060EPU00	ILWPZMON40U00
ILWPL40050EPU00	ILWPZMON40U00
ILWPL45020EPU00	ILWPZMON53U00
ILWPL45060EPU00	ILWPZMON53U00
ILWPL53020EPU00	ILWPZMON53U00
ILWPL53040EPU00	ILWPZMON53U00
ILWPL53060EPU00	ILWPZMON65U00
ILWPL65030EPU00	ILWPZMON65U00
ILWPL65060EPU00	ILWPZMON65U00
ILWPL70020EPU00	ILWPZMON70U00
ILWPL70060EPU00	ILWPZMON70U00
ILWPL70120EPU00	ILWPZMON70U00
ILWPL70160EPU00	ILWPZMON70U00

order number	description	N	O	P	Q	S	T slot hole	U	V	W	weight
		[in]	[in]	[in]	[in]	[in]		[in]	[in]	[in]	[lbs]
ILWPZMON10U00	Mounting plate PL 10-	0.71	2.28	1.30	8.98	9.96	0.35 x 0.59	4.72	-	-	0,9
ILWPZMON20U00	Mounting plate PL 20-	0.71	2.76	1.97	10.04	11.02	0.35 x 0.59	5.91	-	-	1.1
ILWPZMON22U00	Mounting plate PL 22-	0.71	2.91	1.97	13.78	14.76	0.35 x 0.59	9.84	-	1.57	1.5
ILWPZMON40U00	Mounting plate PL 40-	0.71	4.29	3.35	14.06	15.04	0.35 x 0.59	9.84	-	2.95	2,2
ILWPZMON53U00	Mounting plate PL 53-	0.71	4.21	3.35	21.85	22.83	0.35 x 0.59	17.72	-	2.95	3,3
ILWPZMON65U00	Mounting plate PL 65-	0.71	6.30	4.72	25.20	26.77	0.43 x 0.79	21.26	10.63	4.72	5,7
ILWPZMON70U00	Mounting plate PL 70-	0.71	10.00	9.06	21.73	22.83	0.43 x 0.79	16.54	8.27	5.91	7,7

Please contact us for details or get further information at www.asahydraulik.com or support@asahydraulik.com. Please read the manual before operation!

This data sheet and the corresponding scale drawings are to be used as a general guideline and technical overview of our products. Please contact us if more exact information is needed. As we are constantly improving our products, their characteristics, dimensions and weights may also change, although we do our best to incorporate these changes continually. asa assumes no liability for any information therein, any errors, omissions, misprints, nor any direct or indirect damages, losses or costs resulting therefrom. Any cooling performances and general technical values indicated in this catalogue are measured at a test bench according to asa testing procedures or calculated, based on such tests. They represent a basis for your product selection. Due to different conditions in testing and application environments the performance may also vary by +/- 15%. All sound values are determined in accordance with ISO 9614-2, DIN EN ISO 11203 accuracy class 3 or Machinery Directive 2006/42/EG and are A-rated. At some of the performance data, possible differences to competition data are possible. The reason to that are no existing standardized testing procedures on individual subjects, e.g. for cooling performance measurements. Therefore, we recommend all products to be checked under the system operating conditions. This is also true of vibrations and mechanical stress as well as for pressure peaks and thermal stress and any other relevant factors. General tolerances according to DIN ISO 2768-VL, General tolerances for casted parts according EN ISO 8062-3 (DCTG 10). Tolerances for rubber parts are according to ISO 3302-1 (class M4-F+C). The tolerances of welding seams are defined by quality group D according to EN ISO 10042, if it is not specified on the actual scale drawing or data sheet. Any form of liability is excluded for the information included in this datasheet. All details and calculation values are checked to the best of our ability, but these do not ensure any intrinsic product properties; due to the wide-ranging possible applications, it is advised that all technical data herewith included be confirmed through testing carried out by the end-user. asa technology Produktions- und Vertriebs GmbH reserves the right to modify the product without any separate notification. This refers to both technical data and the product itself. Furthermore, it is herewith specified that the datasheet does not substitute the corresponding scale drawings, assembly and installation guidelines, nor the operating instructions. DD-E-series-us-rev3 © asa technology, April 2022

**be different.
make a difference.**

USA

asa hydraulik of America
160 Meister Avenue 20 A
Branchburg, New Jersey 08876
Tel.: +1 800 473 94 00
Tel.: +1 908 541 15 00
sales_us@asahydraulik.com

AUSTRIA

asa technology GmbH
Prager Strasse 280
A-1210, Vienna
Tel.: +43 1 292 40 20
support@asahydraulik.com

CHINA

asa Hydraulik Technology (Suzhou) Co.Ltd
江苏省苏州市工业园区方洲路 128 号 6 区 B 幢
Area 6, Building B,
Fangzhou Road No 128,
Suzhou industrial park,
Suzhou City, Jiangsu Province
Tel.: +86 512 62381988
suzhou@asahydraulik.com

AUSTRALIA

asa Products Pty Ltd
Quinlan Road 23
3076 Epping, Victoria
Tel.: +61 3 9397 6129
melbourne@asahydraulik.com

INDIA

asa heatexchangers Pvt.Ltd
1226, GIDC, ESTATE Phase III, Vatva
Ahmedabad, Gujarat - 382445
Tel.: +91 7043907273
salesindia@asahydraulik.com

