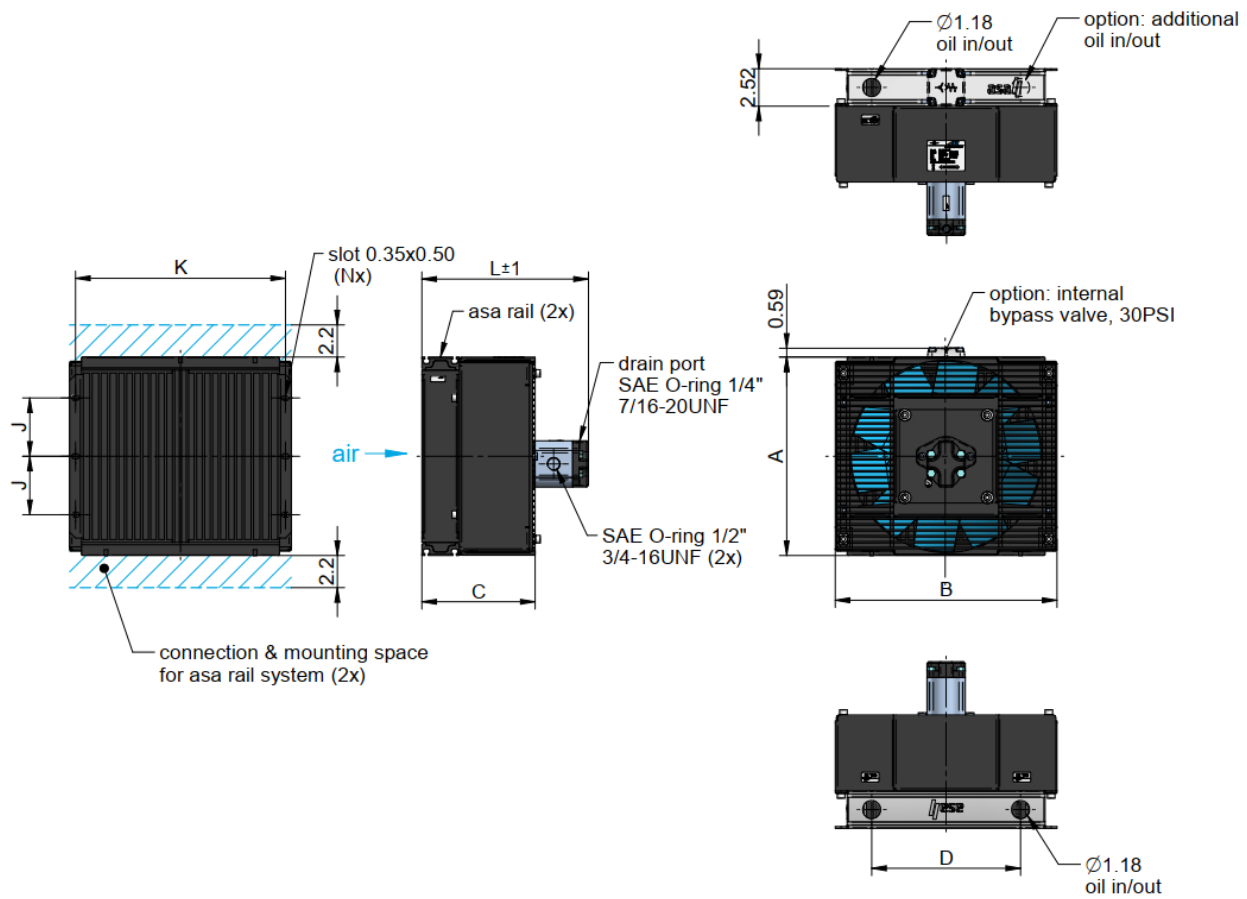


Oil / Air Cooler

Standard Range TT Rail Series

with 0.73in³ and 0.67 in³ hydraulic drive



Dimensions

order number	description	A	B	C	D	J	K	L	N	weight
		[in]	[in]	[in]	[in]	[in]	[in]	[in]		[lbs]
ASATT11RH11U03	TT 11 rail 0.67 in ³ hydr.motor	13.39	14.96	7.64	10.04	3.94	14.17	10.87	6	37.48
ASATT16RH11U03	TT 16 rail 0.67 in ³ hydr.motor	18.31	18.19	8.62	12.91	6.02	17.17	11.50	6	54.01
ASATT25RH11U03	TT 25 rail 0.67 in ³ hydr.motor	23.82	21.97	8.62	16.61	8.21	20.87	11.50	6	71.65
ASATT36RH11U03	TT 36 rail 0.67 in ³ hydr.motor	23.82	28.98	9.41	23.46	8.21	28.00	14.45	6	96.30

Oil / Air Cooler

Standard Range TT Rail Series

with 0.67 in³ hydraulic drive



Technical Data

order number	description	motor power	oil pressure	oil flow	rotation	air flow	noise level	optional internal bypass (30PSI)
		[HP]	[PSI]	[gpm]	[rpm]	[CFM]	[dB(A)]	cooler order number
ASATT11RH11U03	TT 11 rail 0.67 in ³ hydr.motor	0.03	17	3.3	1000	625	53	ASATT11RH12BPU00
		0.23	66	6.7	2000	1259	72	
		0.78	149	10.0	3000	1913	82	
ASATT16RH11U03	TT 16 rail 0.67 in ³ hydr.motor	0.11	63	3.3	1000	1448	66	ASATT16RH12BPU00
		0.87	249	6.7	2000	2998	81	
		2.93	560	10.0	3000	4527	90	
ASATT25RH11U03	TT 25 rail 0.67 in ³ hydr.motor	0.19	109	3.3	1000	2510	69	ASATT25RH12BPU00
		1.55	444	6.7	2000	5145	84	
		5.25	1003	10.0	3000	7752	93	
ASATT36RH11U03	TT 36 rail 0.67 in ³ hydr.motor	0.50	312	3.1	1000	4099	71	ASATT36RH11BPU00
		1.71	712	4.6	1500	6249	86	
		4.06	1267	6.1	2000	8416	95	

Radiator Style B

material:	aluminum
working temperature range:	-4°F to +176°F (oil temperature)*
air fin shape:	wavy
working pressure:	370 PSI (static)

*...the indicated temperature is the maximum inlet temperature for the cooler radiator. Depending on the sealings in use, the application needs appropriate checking.

Installation System (see more information on page 42)

connection UN 1 ⁵ / ₁₆ "	ILLZSET5U16U00 (1 set per cooler required)
connection UN 1 ⁵ / ₈ "	ILLZSET5U20U00 (1 set per cooler required)

Oil / Air Cooler

Standard Range TT Rail Series

with 0.67 in³ hydraulic drive

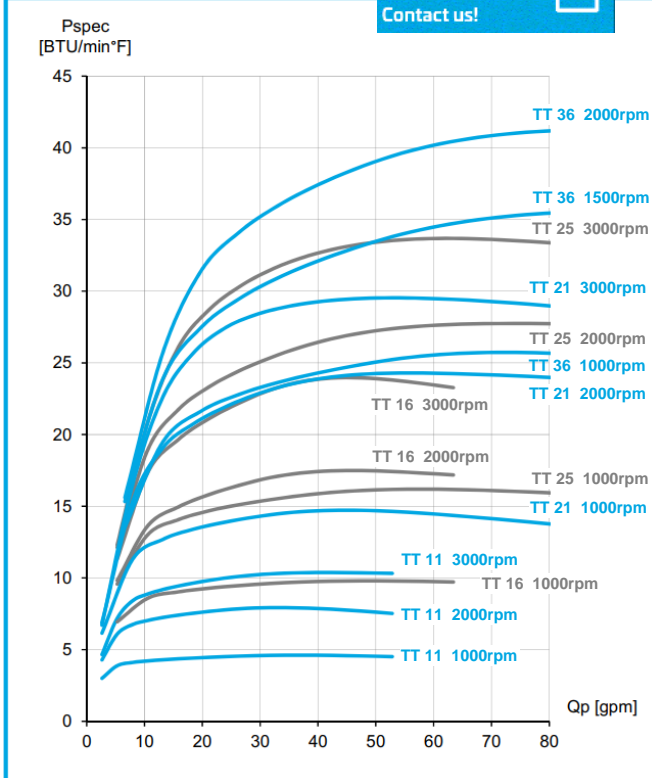


Performance

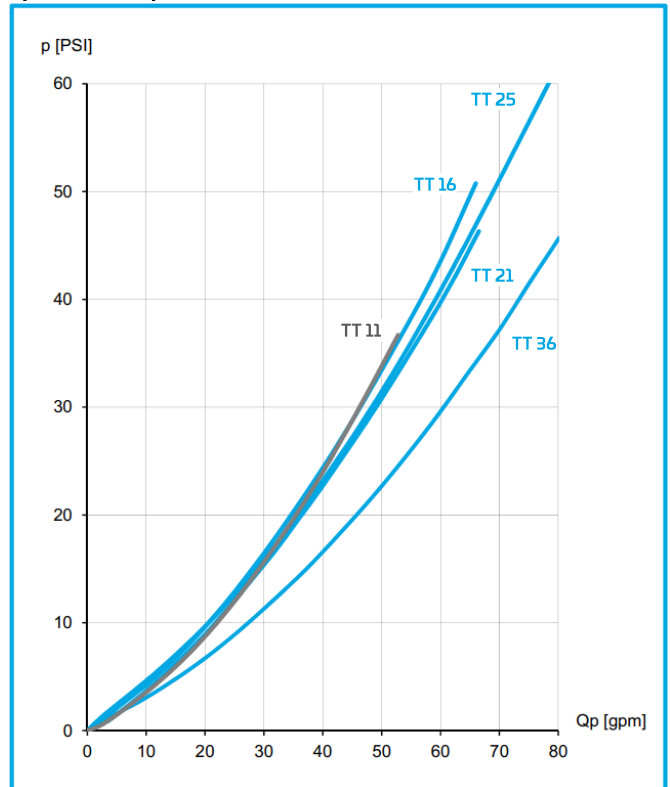
specific cooling performance

all products
water / glycol
compatible!

Contact us!



pressure drop at 150 SSU



This data sheet and the corresponding scale drawings are to be used as a general guideline and technical overview of our products. Please contact us if more exact information is needed. As we are constantly improving our products, their characteristics, dimensions and weights may also change, although we do our best to incorporate these changes continually. asa assumes no liability for any information therein, any errors, omissions, misprints, nor any direct or indirect damages, losses or costs resulting therefrom. Any cooling performances and general technical values indicated in this catalogue are measured at a test bench according to asa testing procedures or calculated, based on such tests. They represent a basis for your product selection. Due to different conditions in testing and application environments the performance may also vary by +/- 15%. All sound values are determined in accordance with ISO 9614-2, DIN EN ISO 11203 accuracy class 3 or Machinery Directive 2006/42/EG and are A-rated. At some of the performance data, possible differences to competition data are possible. The reason to that are no existing standardized testing procedures on individual subjects, e.g. for cooling performance measurements. Therefore, we recommend all products to be checked under the system operating conditions. This is also true of vibrations and mechanical stress as well as for pressure peaks and thermal stress and any other relevant factors. General tolerances according to DIN ISO 2768-vL, General tolerances for casted parts according to EN ISO 8062-3 (DCTG 10). Tolerances for rubber parts are according to ISO 3302-1 (class M4-F+C). The tolerances of welding seams are defined by quality group D according to EN ISO 10042, if it is not specified on the actual scale drawing or data sheet. Any form of liability is excluded for the information included in this datasheet. All details and calculation values are checked to the best of our ability, but these do not ensure any intrinsic product properties: due to the wide-ranging possible applications, it is advised that all technical data herewith included be confirmed through testing carried out by the end-user. asa technology Produktions- und Vertriebs GmbH reserves the right to modify the product without any separate notification. This refers to both technical data and the product itself. Furthermore, it is herewith specified that the datasheet does not substitute the corresponding scale drawings, assembly and installation guidelines, nor the operating instructions.

DD-TT-Rail-Hydraulic-Drive-US-en-rev0-Homepage © asa hydraulik of America, February 2023 page 3/4

Oil / Air Cooler

Standard Range TT Rail Series

with 0.67 in³ hydraulic drive



Options

hydraulic motor	alternative displacements on request
temperature switches	ILLZTH5069KU00, ILLZTH6069KU00, ILLZTH9069KU00 (page 51)
rail mounting bracket	MW3046KU00
foot mounting options	ILLEFUSSTTK, ILLEFUSSTTHDKU00 (page 46)
internal bypass	alternative bypass settings (14.5 PSI / 72.5 PSI)

