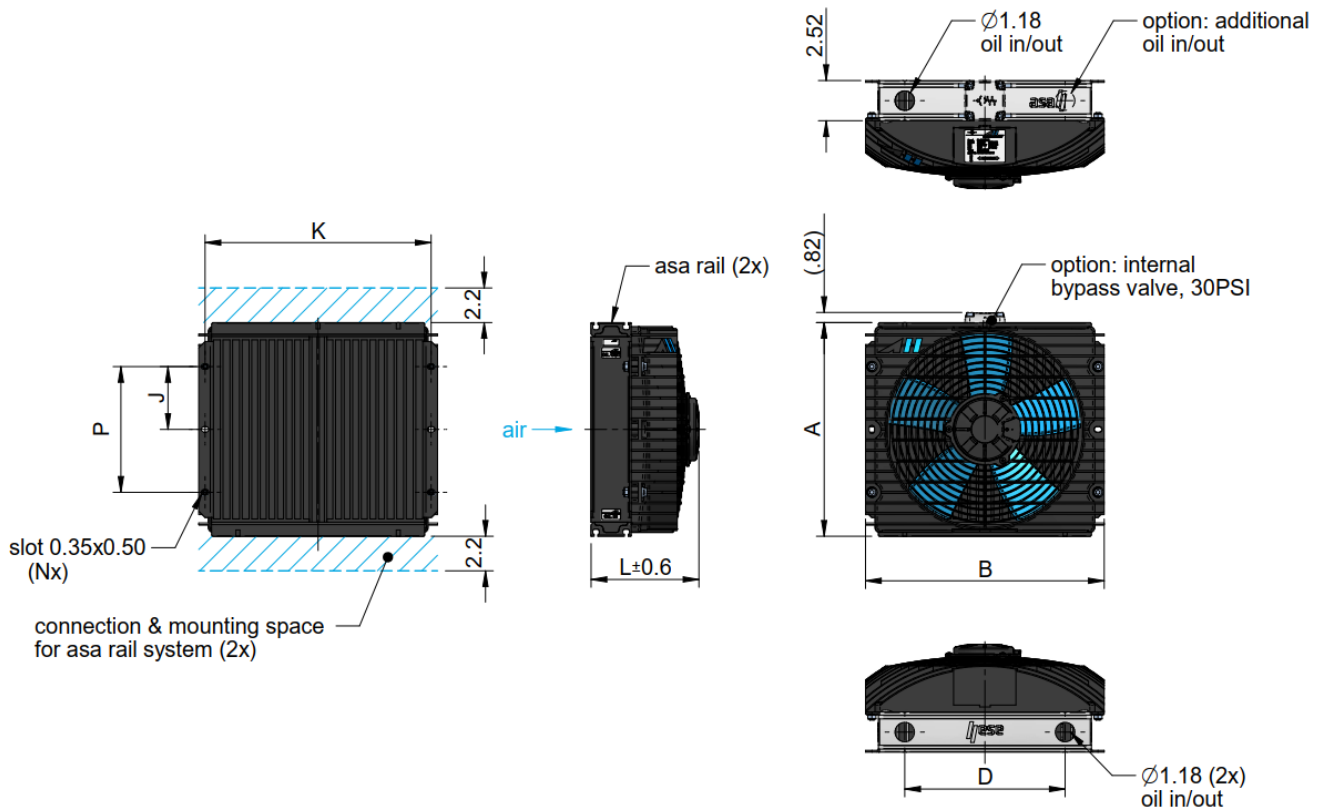


Oil / Air Cooler

Standard Range TT Rail Series

12V / 24V DC, asa rail system



Dimensions

order number	description	A	B	D	J	P	K	L	N	weight
		[in]	[in]	[in]	[in]	[in]	[in]	[in]		[lbs]
ASATT05RD01U00	TT 05 rail 12V DC	9.25	9.65	4.65	-	5.90	8.86	5.91	4	9.48
ASATT05RD02U00	TT 05 rail 24V DC	9.25	9.65	4.65	-	5.90	8.86	5.91	4	9.48
ASATT07RD01U00	TT 07 rail 12V DC	11.81	12.60	6.93	-	6.77	11.42	6.30	4	14.33
ASATT07RD02U00	TT 07 rail 24V DC	11.81	12.60	6.93	-	6.77	11.42	6.30	4	14.33
ASATT07RD03U00	TT 07 rail 12V DC h.p.	11.81	12.60	6.93	-	6.77	11.42	6.93	4	15.43
ASATT07RD04U00	TT 07 rail 24V DC h.p.	11.81	12.60	6.93	-	6.77	11.42	6.93	4	15.43
ASATT11RD01U00	TT 11 rail 12V DC	13.39	14.96	10.04	3.94	7.87	14.17	6.89	6	20.28
ASATT11RD02U00	TT 11 rail 24V DC	13.39	14.96	10.04	3.94	7.87	14.17	6.89	6	20.28
ASATT13RD01U00	TT 13 rail 12V DC	16.54	16.14	10.04	-	9.17	15.20	7.87	4	26.46
ASATT13RD02U00	TT 13 rail 24V DC	16.54	16.14	10.04	-	9.17	15.20	7.87	4	26.46
ASATT16RD01U00	TT 16 rail 12V DC	18.31	18.11	13.11	6.02	12.05	17.17	7.48	6	32.12
ASATT16RD02U00	TT 16 rail 24V DC	18.31	18.11	13.11	6.02	12.05	17.17	7.48	6	32.12
ASATT21RD01U00	TT 21 rail 12V DC	23.82	18.19	12.91	8.21	16.42	17.17	9.57	6	32.85
ASATT21RD02U00	TT 21 rail 24V DC	23.82	18.19	12.91	8.21	16.42	17.17	9.57	6	32.85
ASATT21RD03U00	TT 21 rail 12V DC h.p.	23.82	18.19	12.91	8.21	16.42	17.17	10.28	6	44.97
ASATT21RD04U00	TT 21 rail 24V DC h.p.	23.82	18.19	12.91	8.21	16.42	17.17	10.28	6	44.97
ASATT25RD01U00	TT 25 rail 12V DC	23.82	21.85	16.57	8.21	16.42	20.87	10.47	6	50.04
ASATT25RD02U00	TT 25 rail 24V DC	23.82	21.85	16.57	8.21	16.42	20.87	10.47	6	50.04
ASATT36RD01U00	TT 36 rail 12V DC	28.74	23.82	23.46	8.21	16.42	27.85	10.00	6	72.10
ASATT36RD02U00	TT 36 rail 24V DC	28.74	23.82	23.46	8.21	16.42	27.85	10.00	6	72.10

Oil / Air Cooler

Standard Range TT Rail Series

12V / 24V DC , asa rail system

Technical Data

order number	description	motor power	current	protection	air flow	noise level	optional internal bypass (30PSI)
		[HP]	[A]		[CFM]	[dB(A)]	cooler order number
ASATT05RD01U00	TT 05 rail 12V DC	0.15	8.5	IP 68	340	74	ASATT05RD01BPU00
ASATT05RD02U00	TT 05 rail 24V DC	0.15	4.2	IP 68	340	74	ASATT05RD02BPU00
ASATT07RD01U00	TT 07 rail 12V DC	0.17	9.6	IP 68	573	74	ASATT07RD01BPU00
ASATT07RD02U00	TT 07 rail 24V DC	0.19	5.2	IP 68	573	74	ASATT07RD02BPU00
ASATT07RD03U00	TT 07 rail 12V DC h.p.	0.27	15.6	IP 68	716	78	ASATT07RD03BPU00
ASATT07RD04U00	TT 07 rail 24V DC h.p.	0.28	8.1	IP 68	716	78	ASATT07RD04BPU00
ASATT11RD01U00	TT 11 rail 12V DC	0.39	22.6	IP 68	1 020	77	ASATT11RD01BPU00
ASATT11RD02U00	TT 11 rail 24V DC	0.40	11.4	IP 68	1 020	77	ASATT11RD02BPU00
ASATT13RD01U00	TT 13 rail 12V DC	0.39	22.6	IP 68	1 164	77	ASATT13RD01BPU00
ASATT13RD02U00	TT 13 rail 24V DC	0.40	11.4	IP 68	1 164	77	ASATT13RD02BPU00
ASATT16RD01U00	TT 16 rail 12V DC	0.38	21.2	IP 68	1 343	79	ASATT16RD01BPU00
ASATT16RD02U00	TT 16 rail 24V DC	0.40	11.4	IP 68	1 343	79	ASATT16RD02BPU00
ASATT21RD01U00	TT 21 rail 12V DC	0.38	21.2	IP 68	1 468	78	ASATT21RD01BPU00
ASATT21RD02U00	TT 21 rail 24V DC	0.40	11.4	IP 68	1 468	78	ASATT21RD02BPU00
ASATT21RD03U00	TT 21 rail 12V DC h.p.	0.44	25.5	IP 68	1 826	81	ASATT21RD03BPU00
ASATT21RD04U00	TT 21 rail 24V DC h.p.	0.46	13.2	IP 68	1 826	81	ASATT21RD04BPU00
ASATT25RD01U00	TT 25 rail 12V DC	0.38	21.2	IP 68	1 575	78	ASATT25RD01BPU00
ASATT25RD02U00	TT 25 rail 24V DC	0.40	11.4	IP 68	1 575	78	ASATT25RD02BPU00
ASATT36RD01U00	TT 36 rail 12V DC	2x0.39	2x22.6	IP 68	2 900	80	ASATT36RD01BPU00
ASATT36RD02U00	TT 36 rail 24V DC	2x0.40	2x11.4	IP 68	2 900	80	ASATT36RD02BPU00

Radiator Style B

material:	aluminum
working temperature range:	-4°F to +176°F (oil temperature)*
air fin shape:	wavy
working pressure:	370 PSI (static)

Installation System (asa rail connectors)

connection UN 1 5/16"	ILLZSET5U16U00(1 set per cooler) required)
connection UN 1 5/8"	ILLZSET5U20U00(1 set per cooler) required)

*...the indicated temperature is the maximum inlet temperature for the cooler radiator. Depending on the sealings in use, the application needs appropriate checking.

Oil / Air Cooler

Standard Range TT Rail Series

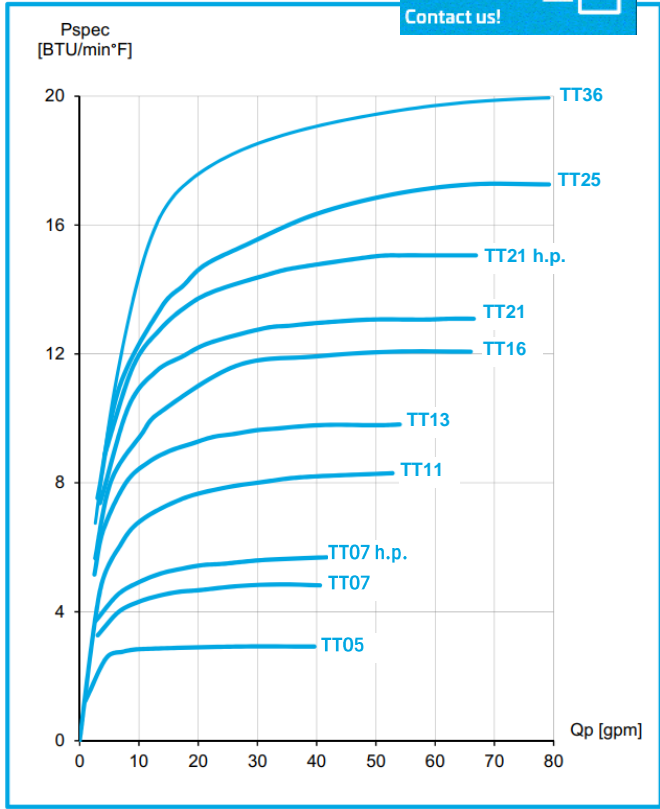
12V / 24V DC, asa rail system

Performance

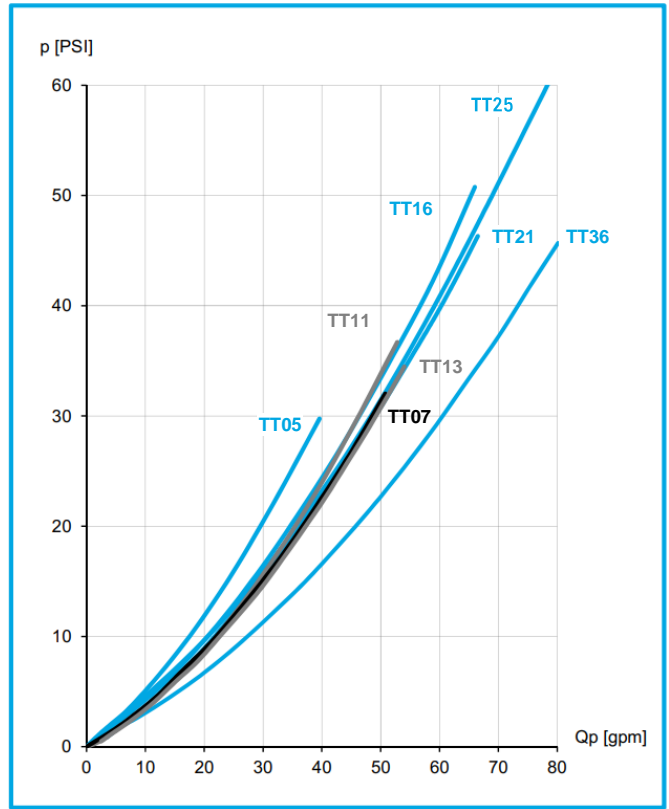
specific cooling performance

all products
water / glycol
compatibel

Contact us!

pressure drop at 150 SSU



Oil / Air Cooler

Standard Range TT Rail Series

12V / 24V DC , asa rail system

Options

temperature control	ILLZTC12-2KU00 or 24-2KU00 + ILLZTT5069KU00 except TT21 h.p.
temperature switches	ILLZTH5069KU00, ILLZTH4765KU00, ILLZTH6065KU00 (page 51)
protection housings	available for sizes TT 07, 11 and 16
system for rail series	ILLZRF.....U00
foot mounting	ILLEFUSSTTKU00, ILLEFUSSTTHDKU00
internal bypass	alternative bypass settings (1bar / 5bar)

