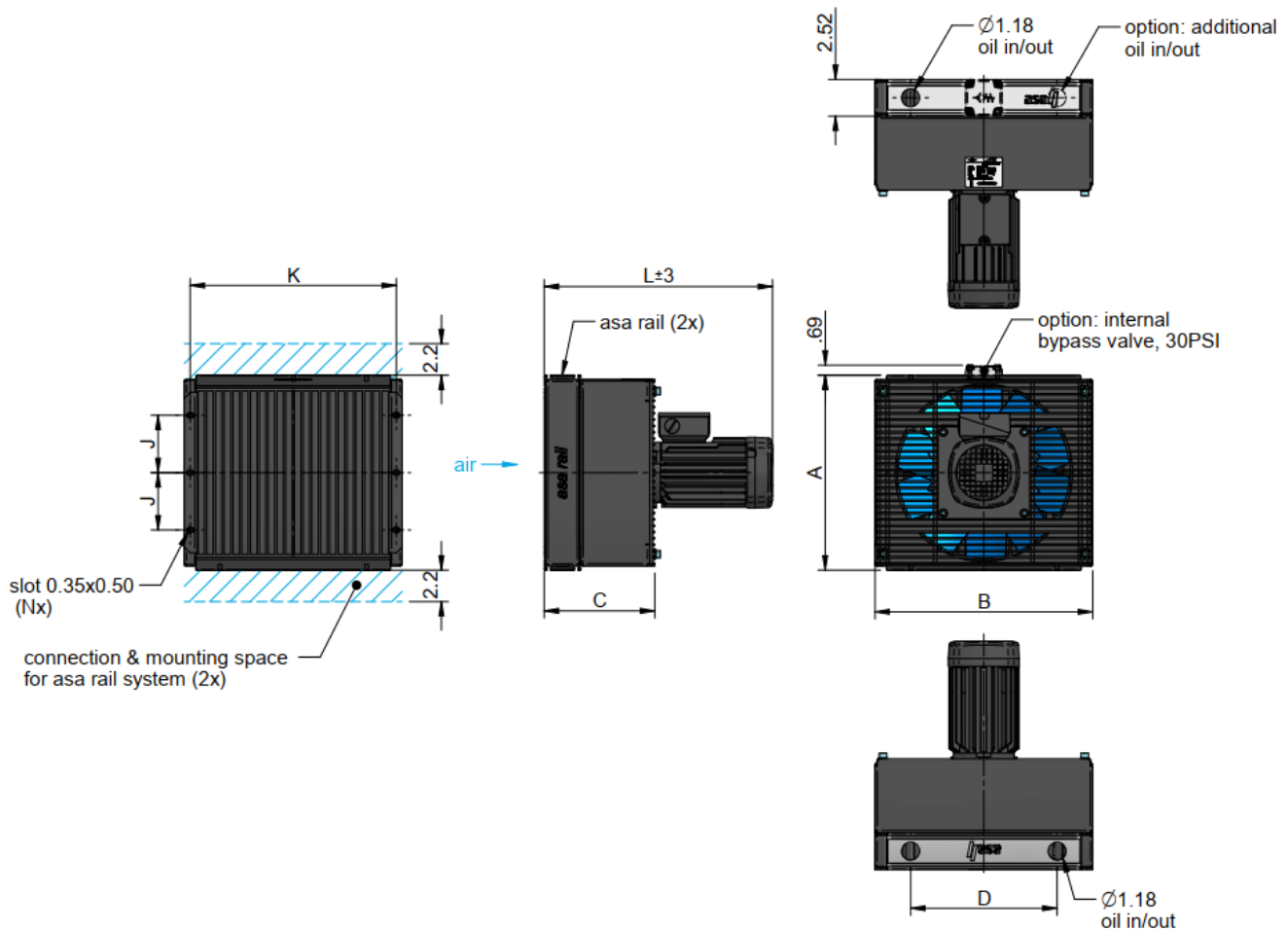


Oil / Air Cooler

Standard Range TT Rail Series

230/460V 60Hz AC



Dimensions

order number	description	A	B	C	D	J	K	L	N	weight
		[in]	[in]	[in]	[in]	[in]	[in]	[in]		[lbs]
ASATT07RA44U00	TT 07 rail 0.34HP AC	11.81	12.60	7.60	6.93	3.39	11.42	15.59	4	35.49
ASATT07RA25U00	TT 07 rail 0.75HP AC	11.81	12.60	7.60	6.93	3.39	11.42	15.59	4	37.48
ASATT11RA44U00	TT 11 rail 0.34HP AC	13.39	14.96	7.64	10.04	3.94	14.17	15.67	6	43.87
ASATT11RA27U00	TT 11 rail 1.50HP AC	13.39	14.96	7.64	10.04	3.94	14.17	15.67	6	46.08
ASATT16RA64U00	TT 16 rail 0.25HP AC	18.31	18.19	8.62	12.91	6.02	17.17	16.30	6	61.95
ASATT16RA45U00	TT 16 rail 0.50HP AC	18.31	18.19	8.62	12.91	6.02	17.17	16.30	6	60.41
ASATT16RA27U00	TT 16 rail 1.50HP AC	18.31	18.19	8.62	12.91	6.02	17.17	16.30	6	60.63
ASATT21RA66U00	TT 21 rail 0.50HP AC	23.82	21.97	8.62	12.91	8.21	17.17	17.32	6	89.95
ASATT21RA46U00	TT 21 rail 0.75HP AC	23.82	21.97	8.62	12.91	8.21	17.17	17.32	6	93.92
ASATT25RA66U00	TT 25 rail 0.50HP AC	23.82	21.97	8.62	16.61	8.21	20.87	17.32	6	90.83
ASATT25RA46U00	TT 25 rail 0.75HP AC	23.82	21.97	8.62	16.61	8.21	20.87	17.32	6	94.80
ASATT36RA66U00	TT 36 rail 0.50HP AC	23.82	28.98	9.41	23.46	8.21	28.00	18.92	6	89.7
ASATT36RA48U00	TT 36 rail 1.50HP AC	23.82	28.98	9.41	23.46	8.21	28.00	21.96	6	97.7
ASATT36RA4BU00	TT 36 rail 4.00HP AC	23.82	28.98	9.41	23.46	8.21	28.00	23.35	6	127.7

This data sheet and the corresponding scale drawings are to be used as a general guideline and technical overview of our products. Please contact us if more exact information is needed. As we are constantly improving our products, their characteristics, dimensions and weights may also change, although we do our best to incorporate these changes continually. asa assumes no liability for any information therein, any errors, omissions, misprints, nor any direct or indirect damages, losses or costs resulting therefrom. Any cooling performances and general technical values indicated in this catalogue are measured at a test bench according to asa testing procedures or calculated, based on such tests. They represent a basis for your product selection. Due to different conditions in testing and application environments the performance may also vary by +/- 15%. All sound values are determined in accordance with ISO 9614-2, DIN EN ISO 11203 accuracy class 3 or Machinery Directive 2006/42/EG and are A-rated. At some of the performance data, possible differences to competition data are possible. The reason to that are no existing standardized testing procedures on individual subjects, e.g. for cooling performance measurements. Therefore, we recommend all products to be checked under the system operating conditions. This is also true of vibrations and mechanical stress as well as for pressure peaks and thermal stress and any other relevant factors. General tolerances according to DIN ISO 2768-vL, General tolerances for casted parts according EN ISO 8062-3 (DCTG 10). Tolerances for rubber parts are according to ISO 3302-1 (class M4-F+C). The tolerances of welding seams are defined by quality group D according to EN ISO 10042, if it is not specified on the actual scale drawing or data sheet. Any form of liability is excluded for the information included in this datasheet. All details and calculation values are checked to the best of our ability, but these do not ensure any intrinsic product properties; due to the wide-ranging possible applications, it is advised that all technical data herewith included be confirmed through testing carried out by the end-user. asa technology Produktions- und Vertriebs GmbH reserves the right to modify the product without any separate notification. This refers to both technical data and the product itself. Furthermore, it is herewith specified that the datasheet does not substitute the corresponding scale drawings, assembly and installation guidelines, nor the operating instructions.

DD-TT-Rail-AC-US-en-rev0-Homepage © asa hydraulik of America, February 2023 page 1/4

Oil / Air Cooler

Standard Range TT Rail Series

230/460V 60Hz AC



Technical Data

order number	description	motor power	current	protection level	rotation	air flow	noise level	optional internal bypass (30 PSI)
		[HP]	[A]		[rpm]	[CFM]	[db(A)]	cooler order number
ASATT07RA44U00	TT 07 rail 0.34HP AC	0.34	0.7	IP 55	1655	629	74	ASATT07RA44BPU00
ASATT07RA25U00	TT 07 rail 0.75HP AC	0.75	1.2	IP 55	3370	1320	89	ASATT07RA25BPU00
ASATT11RA44U00	TT 11 rail 0.34HP AC	0.34	0.7	IP 55	1655	1037	67	ASATT11RA44BPU00
ASATT11RA27U00	TT 11 rail 1.50HP AC	1.50	4.0	IP 55	3450	2202	87	ASATT11RA27BPU00
ASATT16RA64U00	TT 16 rail 0.25HP AC	0.25	0.6	IP 55	1120	1631	68	ASATT16RA64BPU00
ASATT16RA45U00	TT 16 rail 0.50HP AC	0.50	1.0	IP 55	1655	2450	77	ASATT16RA45BPU00
ASATT16RA27U00	TT 16 rail 1.50HP AC	1.50	4.0	IP 55	3450	3382	94	ASATT16RA27BPU00
ASATT21RA66U00	TT 21 rail 0.50HP AC	0.50	1.1	IP 55	1105	2576	71	ASATT21RA66BPU00
ASATT21RA46U00	TT 21 rail 0.75HP AC	0.75	1.4	IP 55	1680	3455	83	ASATT21RA46BPU00
ASATT25RA66U00	TT 25 rail 0.50HP AC	0.50	1.1	IP 55	1105	2782	71	ASATT25RA66BPU00
ASATT25RA46U00	TT 25 rail 0.75HP AC	0.75	1.4	IP 55	1745	3786	83	ASATT25RA46BPU00
ASATT36RA66U00	TT 36 rail 0.50HP AC	0.50	1.1	IP 55	1105	3097	77	ASATT36RA66BPU00
ASATT36RA48U00	TT 36 rail 1.50HP AC	1.50	2.1	IP 55	1720	4853	86	ASATT36RA48BPU00
ASATT36RA4BU00	TT 36 rail 4.00HP AC	4.00	5.5	IP 55	1730	7024	83	ASATT36RA4BBPU00

Radiator Style B

material:	aluminum
working temperature	-4°F to +176°F (oil temperature)*
air fin shape:	wavy
working pressure:	370 PSI (static)

*...the indicated temperature is the maximum inlet temperature for the cooler radiator. Depending on the sealings in use, the application needs appropriate checking.

Installation System (see more information on page 42)

connection UN 1 ⁵ / ₁₆ "	ILLZSET5U16U00 (1 set per cooler)
connection UN 1 ⁵ / ₈ "	ILLZSET5U20U00 (1 set per cooler)

Oil / Air Cooler Standard Range TT Rail Series 230/460V 60Hz AC



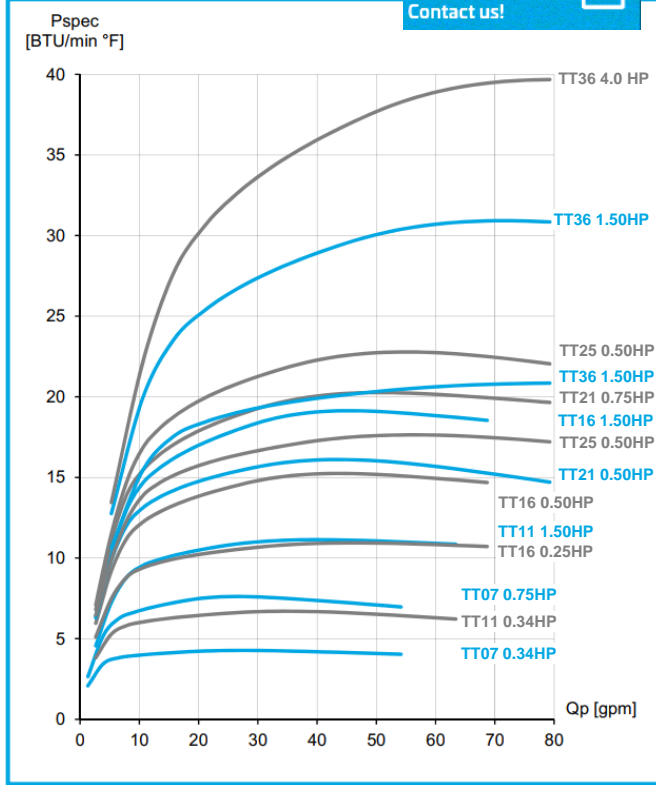
Performance

all products
water/glycol
compatible!

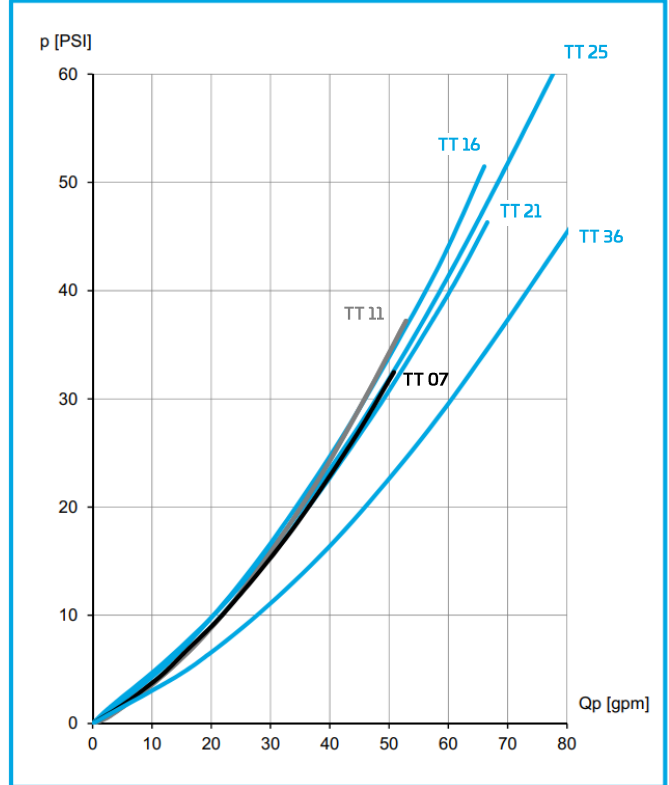


Contact us!

specific cooling performance



pressure drop at 150 SSU



This data sheet and the corresponding scale drawings are to be used as a general guideline and technical overview of our products. Please contact us if more exact information is needed. As we are constantly improving our products, their characteristics, dimensions and weights may also change, although we do our best to incorporate these changes continually. asa assumes no liability for any information therein, any errors, omissions, misprints, nor any direct or indirect damages, losses or costs resulting therefrom. Any cooling performances and general technical values indicated in this catalogue are measured at a test bench according to asa testing procedures or calculated, based on such tests. They represent a basis for your product selection. Due to different conditions in testing and application environments the performance may also vary by +/- 15%. All sound values are determined in accordance with ISO 9614-2, DIN EN ISO 11203 accuracy class 3 or Machinery Directive 2006/42/EG and are A-rated. At some of the performance data, possible differences to competition data are possible. The reason to that are no existing standardized testing procedures on individual subjects, e.g. for cooling performance measurements. Therefore, we recommend all products to be checked under the system operating conditions. This is also true of vibrations and mechanical stress as well as for pressure peaks and thermal stress and any other relevant factors. General tolerances according to DIN ISO 2768-VL, General tolerances for casted parts according EN ISO 8062-3 (DCTG 10). Tolerances for rubber parts are according to ISO 3302-1 (class M4-F+C). The tolerances of welding seams are defined by quality group D according to EN ISO 10042, if it is not specified on the actual scale drawing or data sheet. Any form of liability is excluded for the information included in this datasheet. All details and calculation values are checked to the best of our ability, but these do not ensure any intrinsic product properties; due to the wide-ranging possible applications, it is advised that all technical data herewith included be confirmed through testing carried out by the end-user. asa technology Produktions- und Vertriebs GmbH reserves the right to modify the product without any separate notification. This refers to both technical data and the product itself. Furthermore, it is herewith specified that the datasheet does not substitute the corresponding scale drawings, assembly and installation guidelines, nor the operating instructions.

DD-TT-Rail-AC-US-en-rev0-Homepage © asa hydraulik of America, February 2023 page 3/4

Oil / Air Cooler

Standard Range TT Rail Series

230/460V 60Hz AC



Options

motor data	alternative voltages, frequencies, IP classes, etc on request
temperature control	ILLZTACKU00 (page 52)
temperature switches	ILLZTH4765KU00, ILLZTH6065KU00 (page 51)
rail mounting bracket	MW3046KU00
foot mounting options	ILLEFUSSTTKU00, ILLEFUSSTTHDKU00 (page 46)
internal bypass	alternative bypass settings (14.5 PSI / 72.5 PSI)

