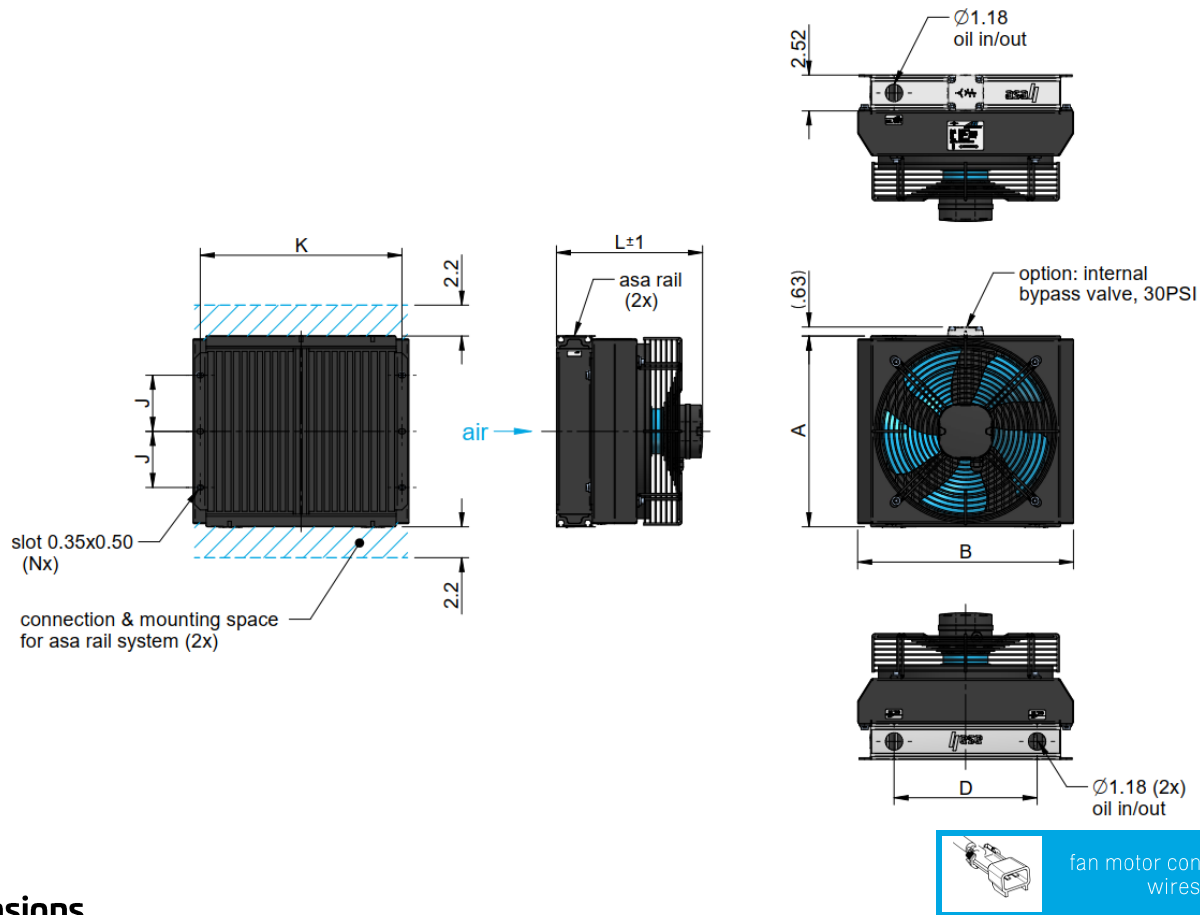


# Oil / Air Cooler

## Standard Range TT Rail Series COMPACT

### 115V 60Hz AC



## Dimensions

order number	description	A	B	D	J	K	L	N	weight
		[in]	[in]	[in]	[in]	[in]	[in]		[lbs]
ASATT05RC2U00	TT 05 rail 115V/60Hz/2-pole compact	9.25	9.84	4.65	2.95	8.86	10.24	4	15.43
ASATT07RC2U00	TT 07 rail 115V/60Hz/2-pole compact	11.81	12.80	6.93	3.39	11.42	10.24	4	19.84
ASATT11RC4U00	TT 11 rail 115V/60Hz/4-pole compact	13.39	15.16	10.08	3.94	14.17	10.24	6	26.01
ASATT13RC4U00	TT 13 rail 115V/60Hz/4-pole compact	16.54	16.14	10.04	9.17	15.20	10.24	4	32.85
ASATT16RC4U00	TT 16 rail 115V/60Hz/4-pole compact	18.31	18.31	12.91	6.02	17.17	11.02	6	43.21

## Technical Data

order number	description	motor power	current	protection	rotation	air flow	noise level	optional internal bypass (30PSI)
		[HP]	[A]		[rpm]	[CFM]	[db(A)]	cooler order number
ASATT05RC2U00	TT 05 rail 115V/60Hz/2-pole compact	0,09	0,65	IP 44	3000	326	67	ASATT05RC2BPU00
ASATT07RC2U00	TT 07 rail 115V/60Hz/2-pole compact	0,12	1,00	IP 44	3200	643	67	ASATT07RC2BPU00
ASATT11RC4U00	TT 11 rail 115V/60Hz/4-pole compact	0,16	0,92	IP 44	1600	927	59	ASATT11RC4BPU00
ASATT13RC4U00	TT 13 rail 115V/60Hz/4-pole compact	0,25	1,65	IP 44	1650	1294	64	ASATT13RC4BPU00
ASATT16RC4U00	TT 16 rail 115V/60Hz/4-pole compact	0,39	2,60	IP 54	1500	1542	66	ASATT16RC4BPU00

This data sheet and the corresponding scale drawings are to be used as a general guideline and technical overview of our products. Please contact us if more exact information is needed. As we are constantly improving our products, their characteristics, dimensions and weights may also change, although we do our best to incorporate these changes continually. asa assumes no liability for any information therein, any errors, omissions, misprints, nor any direct or indirect damages, losses or costs resulting therefrom. Any cooling performances and general technical values indicated in this catalogue are measured at a test bench according to asa testing procedures or calculated, based on such tests. They represent a basis for your product selection. Due to different conditions in testing and application environments the performance may also vary by +/- 15%. All sound values are determined in accordance with ISO 9614-2, DIN EN ISO 11203 accuracy class 3 or Machinery Directive 2006/42/EG and are A-rated. At some of the performance data, possible differences to competition data are possible. The reason to that are no existing standardized testing procedures on individual subjects, e.g. for cooling performance measurements. Therefore, we recommend all products to be checked under the system operating conditions. This is also true of vibrations and mechanical stress as well as for pressure peaks and thermal stress and any other relevant factors. General tolerances according to DIN ISO 2768-vL, General tolerances for casted parts according EN ISO 8062-3 (DCTG 10). Tolerances for rubber parts are according to ISO 3302-1 (class M4-F+C). The tolerances of welding seams are defined by quality group D according to EN ISO 10042, if it is not specified on the actual scale drawing or data sheet. Any form of liability is excluded for the information included in this datasheet. All details and calculation values are checked to the best of our ability, but these do not ensure any intrinsic product properties; due to the wide-ranging possible applications, it is advised that all technical data herewith included be confirmed through testing carried out by the end-user. asa technology Produktions- und Vertriebs GmbH reserves the right to modify the product without any separate notification. This refers to both technical data and the product itself. Furthermore, it is herewith specified that the datasheet does not substitute the corresponding scale drawings, assembly and installation guidelines, nor the operating instructions.

DD-TT-Rail-AC-Compact-US-en-rev0-Homepage © asa hydraulik of America, February 2023 page 1/2

# Oil / Air Cooler

## Standard Range TT Rail Series COMPACT

### 115V 60Hz AC

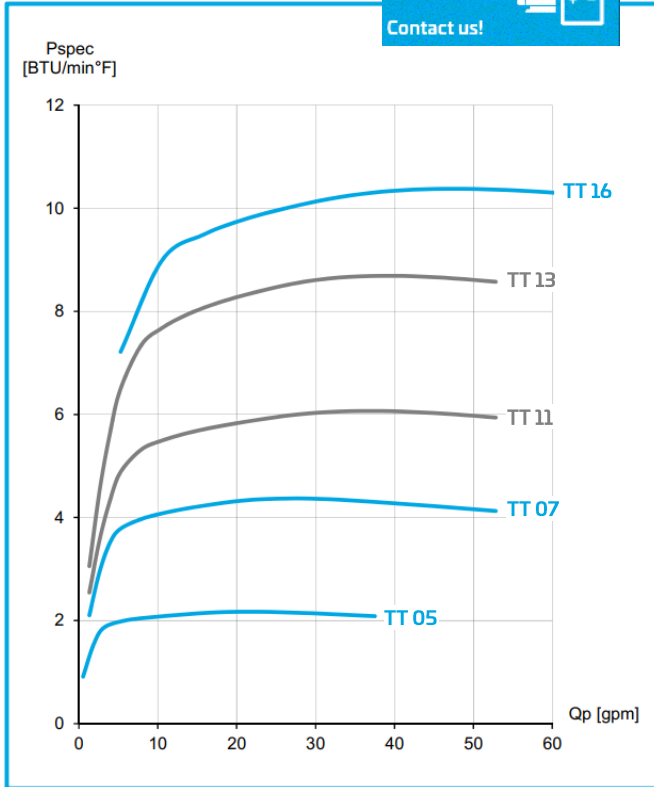


#### Performance

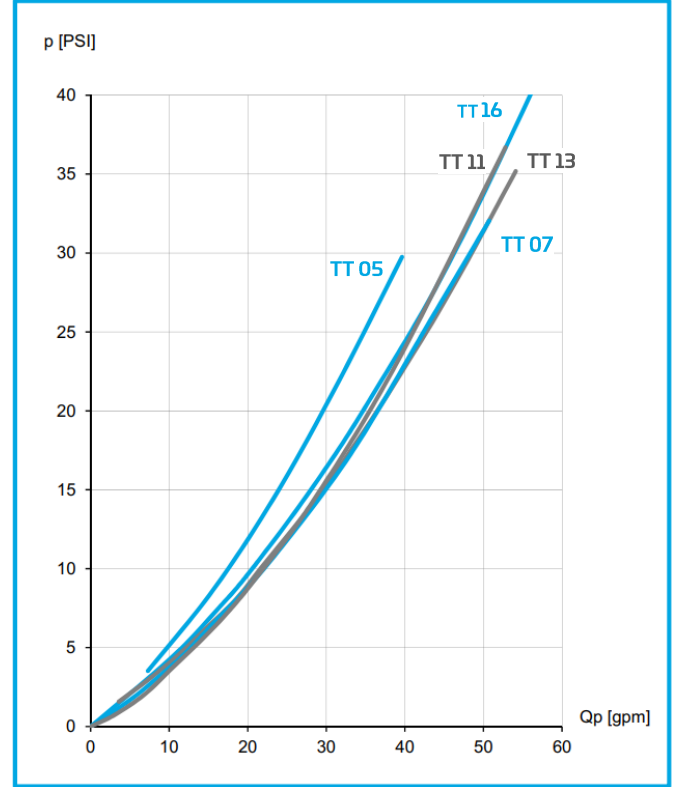
##### specific cooling performance

all products  
water/glycol  
compatibel

Contact us!



#### pressure drop at 150 SSU



### Radiator Style B

material:	aluminum
working temperature range:	-4°F to +176°F (oil temperature)*
air fin shape:	wavy
working pressure:	370 PSI (static)

\*...the indicated temperature is the maximum inlet temperature for the cooler radiator. Depending on the sealings in use, the application needs appropriate checking.

### Options

230V, 50Hz	on request
230/460V 60Hz 3-phase	on request
temperature control	ILLZTACKU00 (page 52)
temperature switches	ILLZTH4765KU00, ILLZTH6065KU00 (page 51)
rail mounting bracket	MW3046KU00
foot mounting options	ILLEFUSSTTKU00, ILLEFUSSTTHDKU00 (page 46)
internal bypass	alternative bypass settings (14.5 PSI / 72.5 PSI)



### Installation System (see more information on page 42)

connection UN 1 5/16"	ILLZSET5U16U00 (1 set per cooler required)
connection UN 1 5/8"	ILLZSET5U20U00 (1 set per cooler required)

This data sheet and the corresponding scale drawings are to be used as a general guideline and technical overview of our products. Please contact us if more exact information is needed. As we are constantly improving our products, their characteristics, dimensions and weights may also change, although we do our best to incorporate these changes continually. asa assumes no liability for any information therein, any errors, omissions, misprints, nor any direct or indirect damages, losses or costs resulting therefrom. Any cooling performances and general technical values indicated in this catalogue are measured at a test bench according to asa testing procedures or calculated, based on such tests. They represent a basis for your product selection. Due to different conditions in testing and application environments the performance may also vary by +/- 15%. All sound values are determined in accordance with ISO 9614-2, DIN EN ISO 11203 accuracy class 3 or Machinery Directive 2006/42/EG and are A-rated. At some of the performance data, possible differences to competition data are possible. The reason to that are no existing standardized testing procedures on individual subjects, e.g. for cooling performance measurements. Therefore, we recommend all products to be checked under the system operating conditions. This is also true of vibrations and mechanical stress as well as for pressure peaks and thermal stress and any other relevant factors. General tolerances according to DIN ISO 2768-vL, General tolerances for casted parts according EN ISO 8062-3 (DCTG 10). Tolerances for rubber parts are according to ISO 3302-1 (class M4-F+C). The tolerances of welding seams are defined by quality group D according to EN ISO 10042, if it is not specified on the actual scale drawing or data sheet. Any form of liability is excluded for the information included in this datasheet. All details and calculation values are checked to the best of our ability, but these do not ensure any intrinsic product properties; due to the wide-ranging possible applications, it is advised that all technical data herewith included be confirmed through testing carried out by the end-user. asa technology Produktions- und Vertriebs GmbH reserves the right to modify the product without any separate notification. This refers to both technical data and the product itself. Furthermore, it is herewith specified that the datasheet does not substitute the corresponding scale drawings, assembly and installation guidelines, nor the operating instructions.

DD-TT-Rail-AC-Compact-US-en-rev0-Homepage © asa hydraulik of America, February 2023 page 2/2