

Compensator SAE 1" to 5"



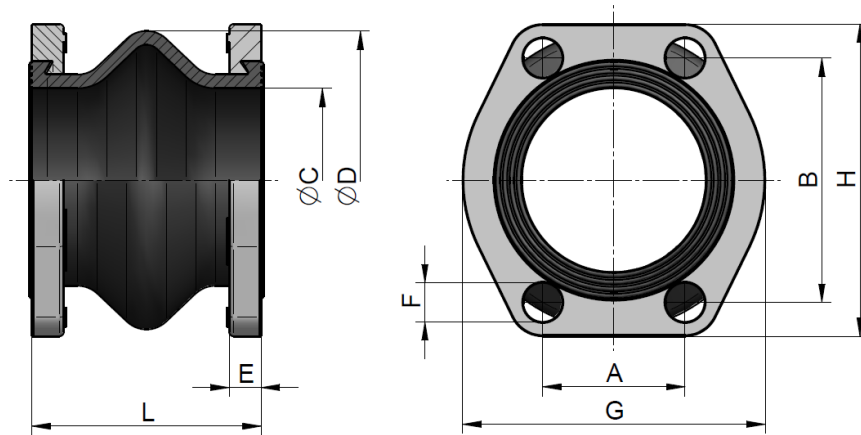
Rubber compensators are elastic connectors with turnable SAE flanges. Compensators are used for damping oscillations, vibrations, noises and movements in axial and transversal direction.

Design

Rubber compensators have a plain surface vulcanized to a fabric body (inside and outside) of the rubber part. The outside is weather resistant and protects the fabric against ageing, wear and corrosion. The interior of the rubber part consists of nitril-butadien-caoutchouc (NBR). The outer layer is made of CR (chloroprene rubber). Because compensators have tightening lips on both sides, further seals are not necessary.

Use

For all mineral oil products (except synthetic oils), crude oil, lubrication oil, cooling oil (-4°F up to 176°F), grease (mineral), cold water, warm water up to 140°F, water/oil emulsions, fuel with 30% aromatic content. For operation in suction and return lines.



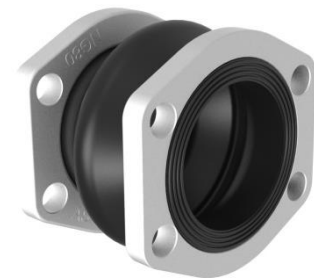
Technical Data

order number	description	size		A [in]	B [in]	C [in]	D [in]	E [in]	F [in]	G [in]	H [in]	L [in]	weight [lbs]
		SAE	NG*										
SDKSS025U00	K16S – 25	1"	25	1.03	2.06	0.98 +0.04 -0.12	2.09±0.08	0.43	0.43	2.32	2.76	2.56±0.12	0.88
SDKSS032U00	K16S – 32	1 ¼"	32	1.19	2.31	1.26 +0.04 -0.12	2.36±0.08	0.43	0.51	2.87	3.19	2.56±0.12	1.10
SDKSS040U00	K16S – 40	1 ½"	40	1.41	2.76	1.57 +0.04 -0.12	3.15±0.08	0.51	0.51	3.27	3.74	3.94±0.16	1.76
SDKSS050U00	K16S – 50	2"	50	1.69	3.06	1.89 +0.04 -0.12	3.78±0.08	0.51	0.51	3.82	4.06	3.94±0.16	2.20
SDKSS063U00	K16S – 63	2 ½"	63	2.00	3.50	2.48 +0.04 -0.12	4.37±0.12	0.55	0.51	4.29	4.53	3.94±0.16	2.65
SDKSS080U00	K16S – 80	3"	80	2.44	4.19	3.15 +0.04 -0.12	5.12±0.12	0.55	0.67	5.16	5.35	3.94±0.16	3.97
SDKSS092U00	K16S – 92	3 ½"	90	2.76	4.75	3.54 +0.04 -0.12	5.51±0.12	0.55	0.67	5.51	5.98	3.94±0.16	4.19
SDKSS100U00	K16S – 100	4"	100	3.06	5.13	3.94 +0.04 -0.12	5.91±0.12	0.63	0.67	5.98	6.38	3.94±0.16	5.52
SDKSS126U00	K16S – 125	5"	125	3.62	6.00	4.92 +0.04 -0.12	7.09±0.12	0.63	0.67	6.50	7.24	5.12±0.16	6.62

*... NG = nominal size

Material

rubber inside	NBR
rubber outside	CR/NR (Chloroprene/Naturalrubber)
rubber hardness	70 shore ± 5
flange	steel



Working Pressure

maximum working pressure	NG25 to NG80 7-22 PSI (absolute) NG90 to NG125 10-22 PSI (absolute)
temperature range	-4°F to 176°F

Please read manual before installation and for the maximum movement tolerances of the rubber connection! Note, that the dimension tolerances have to be taken from the corresponding scale drawing.

This data sheet and the corresponding scale drawings are to be used as a general guideline and technical overview of our products. Please contact us if more exact information is needed. As we are constantly improving our products, their characteristics, dimensions and weights may also change, although we do our best to incorporate these changes continually. asa assumes no liability for any information therein, any errors, omissions, misprints, nor any direct or indirect damages, losses or costs resulting therefrom. Any cooling performances and general technical values indicated in this catalogue are measured at a test bench according to a testing procedure or calculated, based on such tests. Due to different conditions in testing and application environments the performance may also vary by +/- 15%. Because there is no standardized testing procedure, tests used by other manufacturers could have different results. Therefore we recommend all products to be checked under the system operating conditions. This is also true for vibrations and mechanical stress as well as for pressure peaks and thermal stress and any other relevant factors. General tolerances according to DIN ISO 2768-M. General tolerances for casted parts according to EN ISO 8062-3 (DCTG 10). Tolerances for rubber parts are according to ISO 3302-1 (class M4-F+C). The tolerances of welding seams are defined by quality group D according to EN ISO 10042, if it is not specified on the actual scale drawing or data sheet. In addition to that we point out that any data sheet and corresponding scale drawing is no substitution for the manual.
DD-SDKSSxxx-us-rev5 © asa technology, October 2020 page1/1