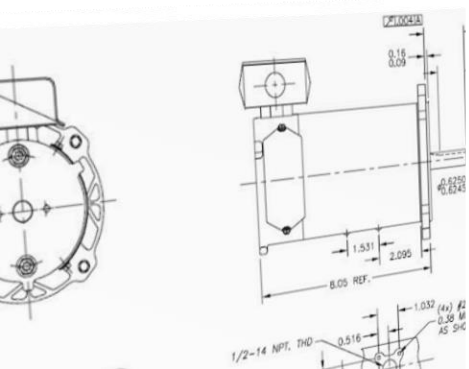




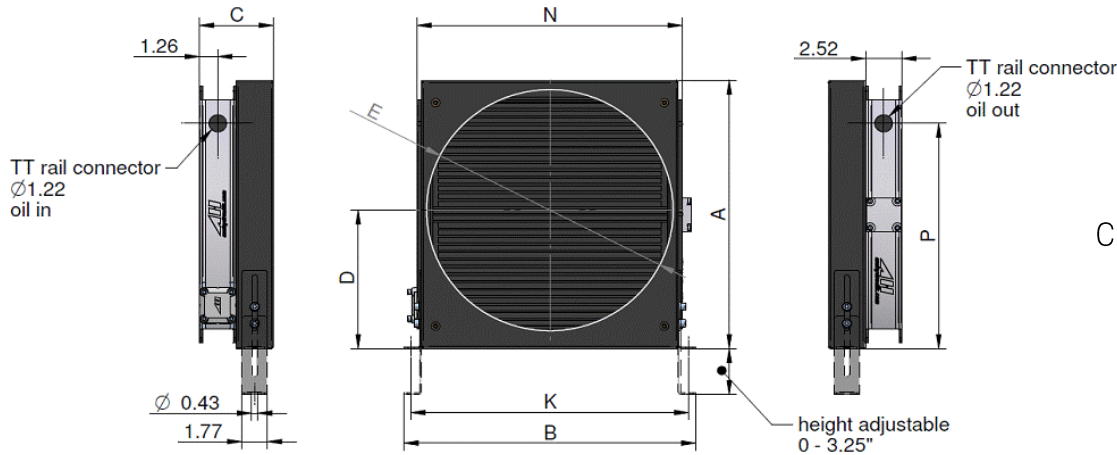
Heat Exchangers

Nema Mount Cooler Series



NEMA Mount Cooler Series

for NEMA frames 56 to 365T



Cooler Characteristics

material:	aluminum
air fin shape:	wavy
max. working pressure:	370 PSI (static)
max. working temperature:	176°F

Main Dimensions

description	part number	part number bypass	A	B	C	K	N	P	weight (no bypass)	weight (bypass)
			[in]	[in]	[in]	[in]	[in]	[in]	[lbs]	[lbs]
TT 07 rail NE	ASATTO7R0	ASATTO7ROBP	13.00	15.35	4.29	14.41	11.81	10.02	15.4	17.1
TT 11 rail NE	ASATT11R0	ASATT11ROBP	15.36	15.35	4.29	14.41	13.39	12.70	18.0	19.1
TT 16 rail NE	ASATT16R0	ASATT16ROBP	18.19	20.08	5.08	19.13	18.27	15.87	29.3	31.3

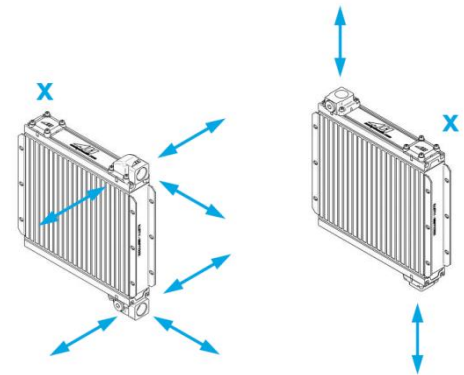
Dimension D and E

description	without adapter plate		with ILLEGHADA056			with ILLEGHADA143			with ILLEGHADA182			with ILLEGHADA215			
	Nema size	D [in]	E [in]	Nema size	D [in]	E [in]	Nema size	D [in]	E [in]	Nema size	D [in]	E [in]	Nema size	D [in]	E [in]
TT 07 rail NE	213T, 215T	5.50	10.67	56	4.00	7.08	143T, 145T	4.00	7.36	182T, 184T	5.00	9.05	213T, 215T	-	-
TT 11 rail NE	254T, 256T	6.15	12.60	56	4.00	7.08	143T, 145T	4.00	7.36	182T, 184T	5.00	9.05	213T, 215T	5.66	10.80

description	without adapter plate		with ILLEGHADA215-16			with ILLEGHADA284-16			
	Nema size	D [in]	E [in]	Nema size	D [in]	E [in]	Nema size	D [in]	E [in]
TT 16 rail NE	364T, 365T	9.75	17.00	213T, 215T	7.14	10.80	284T, 286T	9.75	14.62

Hydraulic Connection* Choose your best option with the flexible asa rail system:

part number	description	type of connectors
ILLZSET5U16	asa rail connector set UN 1 ⁵ / ₁₆ "	90°
ILLZSET5U20	asa rail connector set UN 1 ⁵ / ₈ "	90°
ILLZSET5G25	asa rail connector set BSP 1"	90°
ILLZSET5G32	asa rail connector set BSP 1 1/4"	90°
ILLZSET5G25A	asa rail connector set BSP 1" straight	straight
ILLZSET5G25B	asa rail connector set BSP 1", 1x 90°, 1x str.	1x 90°, 1x straight



*)...The pictures show only a few options of the hydraulic connection. Please contact us for further information and assistance.

Adapter Table

NEMA frame	TT 07	TT 11	TT 16
56	ILLEGHADA056	ILLEGHADA056	-
143T, 145T	ILLEGHADA143	ILLEGHADA143	-
182T, 184T	ILLEGHADA182	ILLEGHADA182	-
213T, 215T	no adapter required	ILLEGHADA215	ILLEGHADA215-16
254T, 256T	-	no adapter required	-
284T, 286T	-	-	ILLEGHADA284-16
324T, 326T	-	-	ILLEGHADA324-16
364T, 365T	-	-	no adapter required

Air Flow

NEMA frame	air flow
	[SCFM]
56	40
143T, 145T	50
182T, 184T	80
213T, 215T	100
254T, 256T	110
284T, 286T	140
324T, 326T	180
364T, 365T	320

The cooling performance data is based on the mentioned air flows. Please note that the air flows can differ depending on make and power of the motor!

NEMA Mount Cooler Series

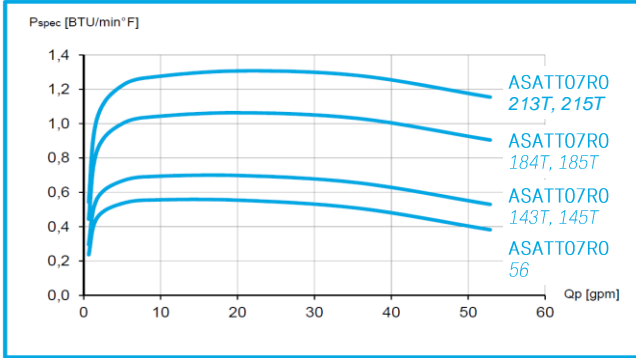
for NEMA frames 56 to 365T



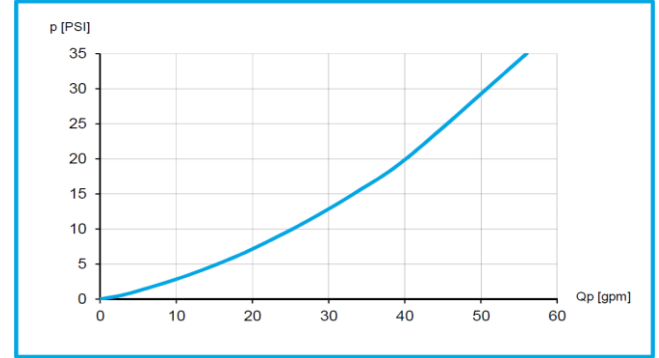
Performance TT 07 rail NE

specific cooling performance

cooler number
Nema frame

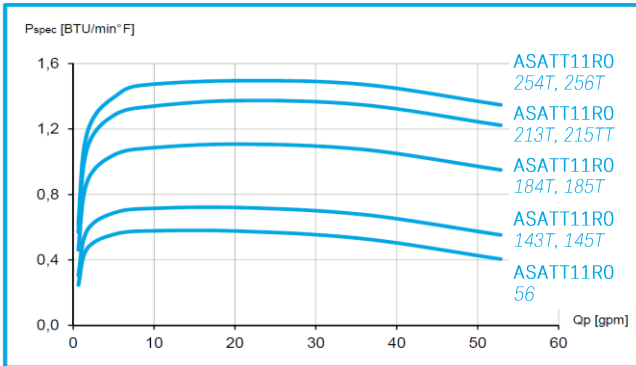


pressure drop at 150 SSU

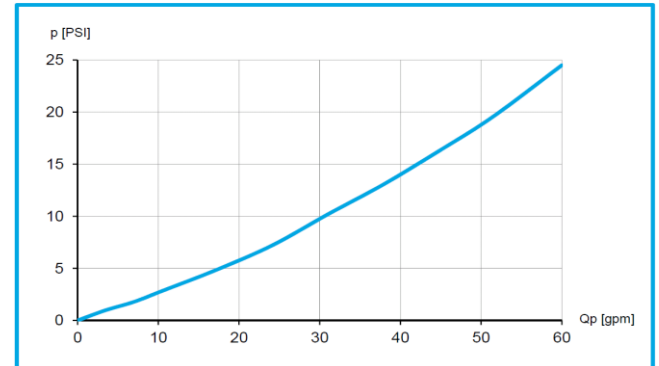


Performance TT 11 rail NE

specific cooling performance

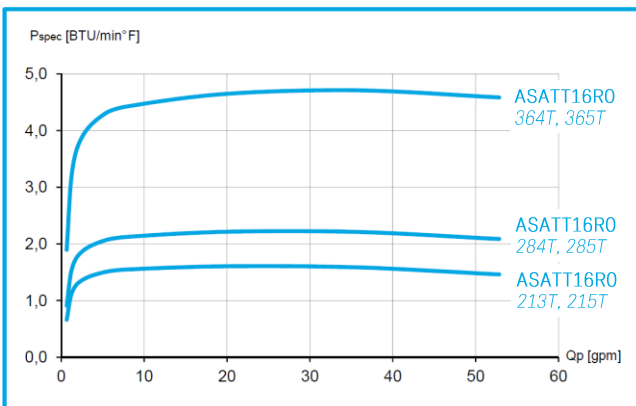


pressure drop at 150 SSU

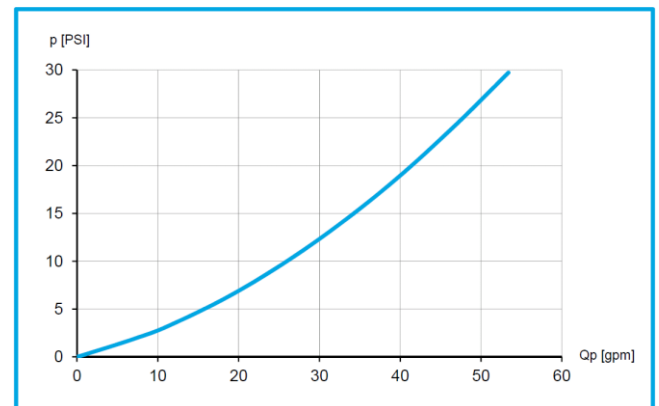


Performance TT 16 rail NE

specific cooling performance



pressure drop at 150 SSU



This data sheet and the corresponding scale drawings are to be used as a general guideline and technical overview of our products. Please contact us if more exact information is needed. As we are constantly improving our products, their characteristics, dimensions and weights may also change, although we do our best to incorporate these changes continually. asa assumes no liability for any information therein, any errors, omissions, misprints, nor any direct or indirect damages, losses or costs resulting therefrom. Any cooling performances and general technical values indicated in this catalogue are measured at a test bench according to asa testing procedures. Because there is no standardized testing procedure, tests used by other manufacturers could have different results. Due to different conditions in testing and application environments the cooling performance may also vary by +/- 15%. Therefore we recommend all products to be checked under the system operating conditions. This is also true of vibrations and mechanical stress as well as for pressure peaks and thermal stress and any other relevant factors. General tolerances according to DIN ISO 2768-v. General tolerances for casted parts according to EN ISO 8062-3 (DCTG 10). Tolerances for rubber parts are according to ISO 3302-1 (class M4-F+C). The tolerances of welding seams are defined by quality group D according to EN ISO 10042. If it is not specified on the actual scale drawing or data sheet. In addition to that we point out that any data sheet and corresponding scale drawing is no substitution for the manual.



**Thermal Systems
Connection Technology
Fluid Controls**

**be different.
make a difference.**



USA

asa hydraulik of America
160 Meister Avenue 20 A
Branchburg, New Jersey 08876
Tel.: +1 800 473 94 00
Tel.: +1 908 541 15 00
sales_us@asahydraulik.com

AUSTRIA

asa hydraulik GmbH
Prager Strasse 280
A-1210, Vienna
Tel.: +43 1 292 40 20
support@asahydraulik.com

安飒液压科技（苏州）有限公司

asa Hydraulik Technology (Suzhou) Co.Ltd

江苏省苏州市工业园区方洲路128号6区B幢
Area 6, Building B,
Fangzhou Road No 128,
Suzhou industrial park,
Suzhou City, Jiangsu Province
Tel.: +86 512 62381988
suzhou@asahydraulik.com

AUSTRALIA

asa Products Pty Ltd
Bentley Street 4/15
3016 Williamstown, Victoria
Tel.: +61 3 9397 6129
melbourne@asahydraulik.com

INDIA

ASAhdraulik India Pvt Ltd
C1/109/9, GIDC, Palej, Dt.Bharuch
Gujarat - 392220
Tel.: +91 22 28195557
salesindia@asahydraulik.com