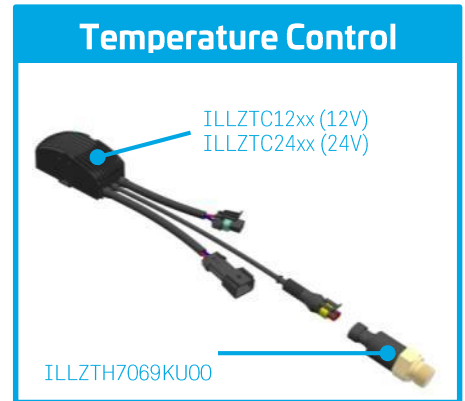
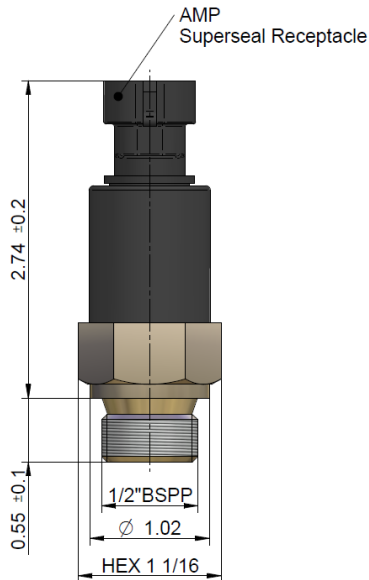


According to the cooler type and size, our temperature switches fit on all coolers and connectors with BSPP ½" threads. Please contact us for the compatibility of the products. IP69K switch type work in combination with our temperature control units ILLZTC12xx(12V) and also with ILLZTC24xx(24V). This is a simple on/off mode, according to the switch temperature. The control unit benefit is the soft start curve, extending the life time of the fan motor.

On request we offer various other bi-metal temperature switches with different temperature settings, protection classes and connection makes.

Protection IP69k



Technical Data

order number	description	connection	protection	switch temperature	difference	weight
				[°F]	[°F]	[lbs]
ILLZTH7069KU00	temperature switch 158 °F	AMP superseal 1,5	IP 69K	158 ± 9	50 ± 9	0,22

Characteristics

screw part material	brass
mounting	any position
max. tightening torque	40Nm
number of cycles	100.000
counter connector	included

Ambient Conditions

oil temperature range	-4°F to +212°F
ambient temperature range	-4°F to +176°F
storage temperature range	-76°F to 230°F

Combinations

all coolers and connectors with BSP ½" threads

Electrical characteristics

contact	N.O. (normal open)
maximum current	12V AC: 10 (4)A
	24V AC: 10 (3)A
	120V AC: 12 (2)A
	230V AC: 10 (1)A

Use power relay for switching!

