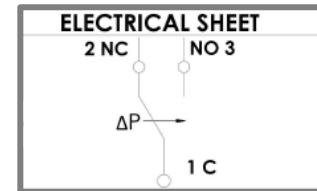
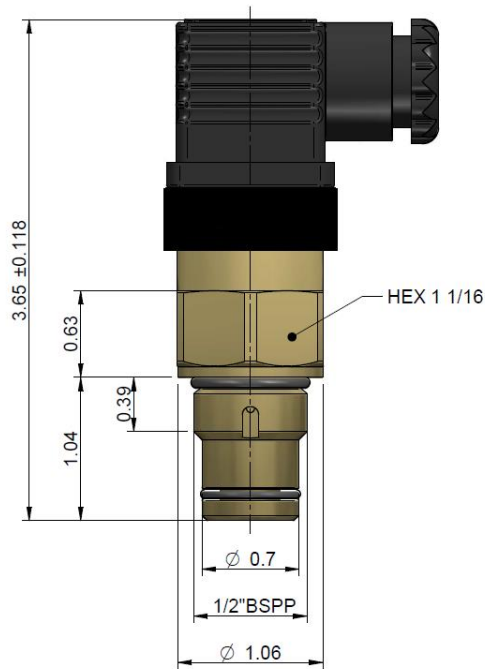


# Thermal Systems / Accessories

## Electrical clogging indicator



## Technical Data

order number	HFZVEG15U00
description	Electrical clogging indicator 1/2"BSPP
Body material	brass
O-ring material	NBR
Switching contact	SPDT
Ambient temperature	-13°F to +185°F
Differential pressure setting	19 +/-20% PSI
Max. pressure	6527 PSI
Mounting torque	37 lbf ft
Protection	IP 65
Voltage 14V DC	5 (4) A
Voltage 30V DC	4 (3) A
Voltage 125V AC	5 (3) A
Voltage 250V AC	3 (2) A
Weight	0,40 lbs

