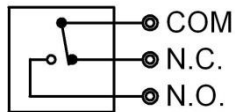
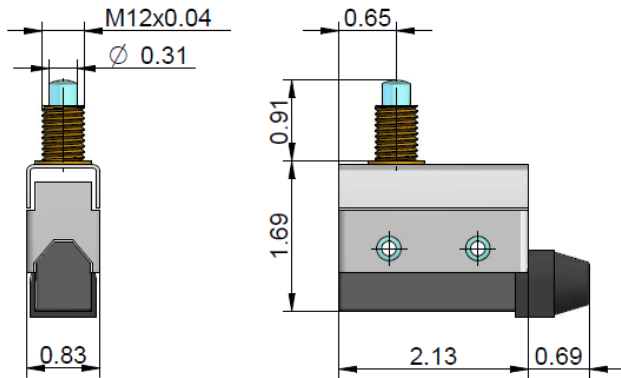


Limit Switch for butterfly flanges and suction units



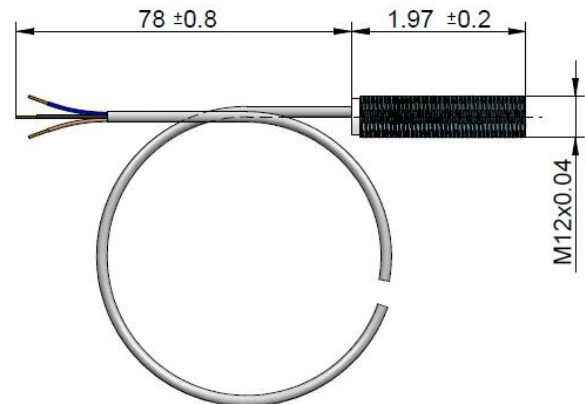
Optional to the **asa** suction units and butterfly flanges we offer mechanical and inductive limit switches. The limit switch can be mounted on the standard block for monitoring matters. The lever position corresponds to the valve position. Thus the aperture angle is well-defined even in mounted state. The handle direction (clockwise or counter clockwise) can be changed by turning the switch bracket. Please note that the butterfly flange may only be opened in mounted state and with greased or lubricated sealing.

Mechanical Limit Switch



order number	EAFSMKU00
Kind of actuator	pin plunger Ø0.31 in
Control voltage at 125V AC	10A res., 6A ind.
Control voltage at 250V AC	10A res., 4A ind.
Control voltage at 115V DC	0,4A res., 0,05A ind.
Connection	screw terminals
IP rating	IP64
Operating temperature	-4°F to 140°F
Weight	0.19 lbs

Inductive Limit Switch



order number	EAFSIKU00
Output configuration	PNP/NO
Range	0...0.08 in
Supply voltage	10...30V DC
IP rating	IP68
Max. operating current	200mA
Operating temperature	-13°F to 158°C
Switching frequency max.	1,2kHz
Body material	brass
Weight	0.20 lbs

Please contact us for more information!

