

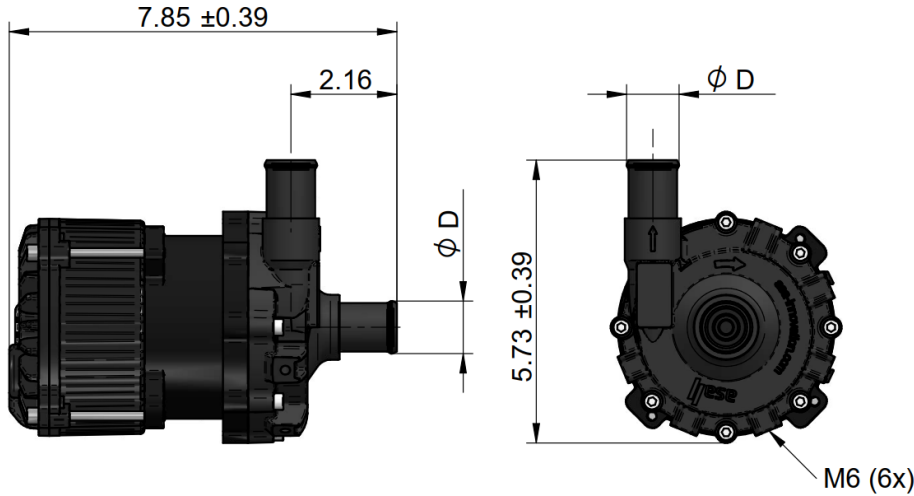
# Fluid Controls

## Water Pump Unit 24V DC

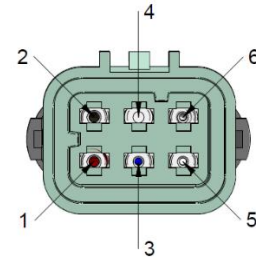


### Product Description

The asa water pump is working to the centrifugal principle and uses a spiral housing with 1" and 3/4" hose connections, magnet coupling 24V DC brushless motor. The motor and the coupling are installed in an aluminium die cast housing. This motor/pump unit is mainly designed to create compact and cost efficient cooling circuits for electric devices such as battery packs, electric motors and power electronics like converters.



**Pump Connector:  
Ducon 2.8 male**



PIN	function
1	24V
2	GND
3	diagnostic (output)
4	reserved, don't used
5	-
6	PWM (input)

### Technical Data

order number	description	fuse	protection	flow rate	motor type	ØD	weight
		[A]		[gpm]			[lbs]
ABPW090S20HP02U00	Water pump 24 gpm 3/4" 24V HNBR	20	IP68	see charts page 3	brushless	3/4"	7.0
ABPW090S25HP02U00	Water pump 24 gpm 1" 24V HNBR	20	IP68			1"	7.0

### Materials

housing and cover	aluminum
sealing (medium side)	HNBR

### Temperature

working temperature range	-4°F to +185°F
---------------------------	----------------

### Control

PWM signal	standard
connector type	Ducon 2.8 (optional mating connector order number: ESDU6P2.8K)
	pin 1: 24V pin 2: GND
power-on time	PWM 0 - 70%: S1 PWM 70 - 100%: 50% S3 60min
voltage,	20 V / 27.2 V / 32 V
power rating	390W
medium	water & water-glycol

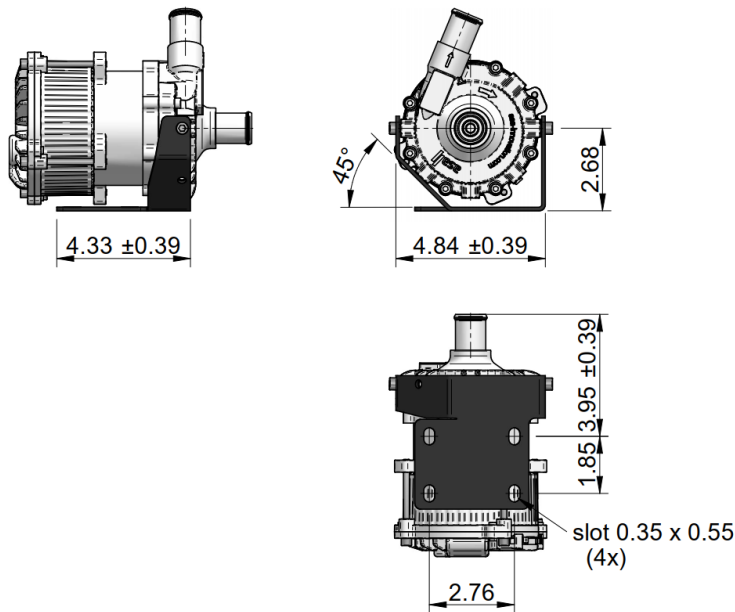
### Duty cycle

40%	Pump is running dry
50%	Over current
70%	Over temperature
80%	Under- and Over voltage
100%	No error

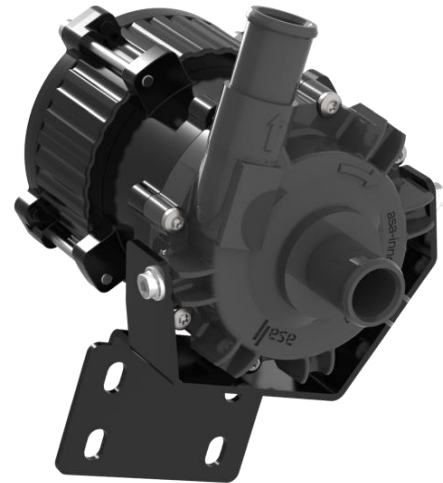
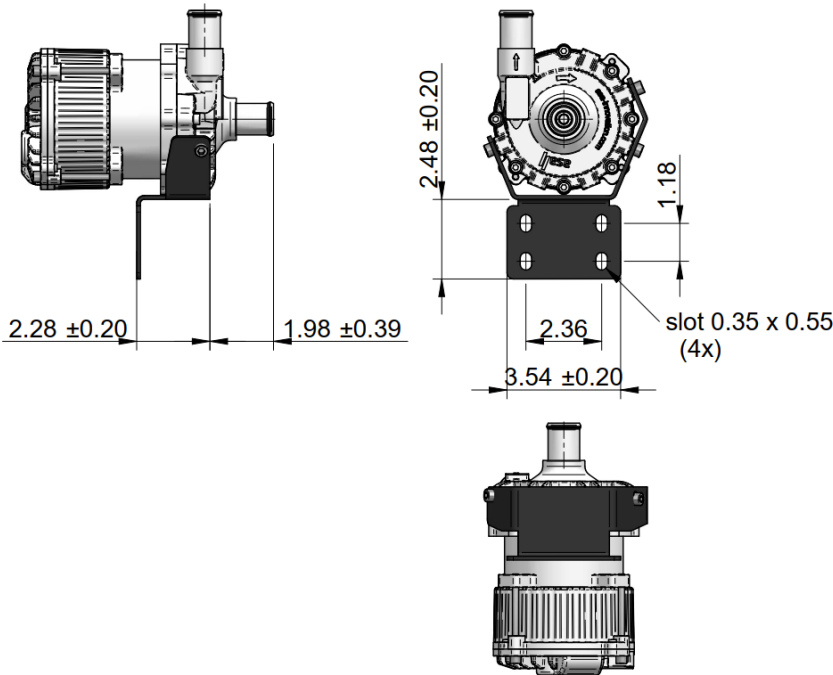
### Definition



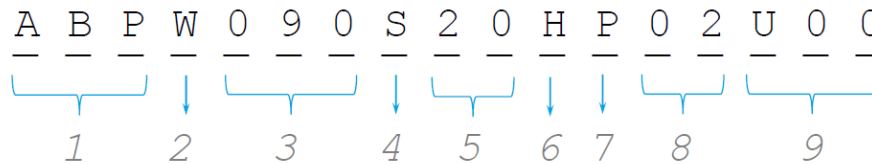
**1.) Mounting option U01**



**2.) Mounting option U02**



### Order Code



#### 1 Product Category

ABP Pumps

#### 2 Product Series

W Waterpump

#### 3 Displacement volume

090 24 GPM

#### 4 Connection

S standard motor/pump

#### 5 Dimensions

20 3/4"  
25 1"

#### 6 Sealing Material (medium side)

H HNBR  
E EPDM (on request)  
V FPM(Viton) (on request)

#### 7 Control

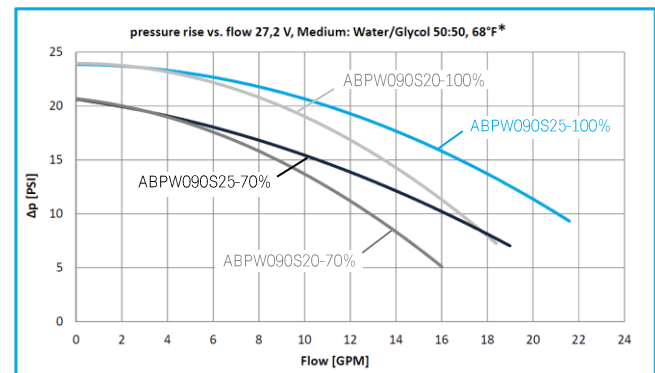
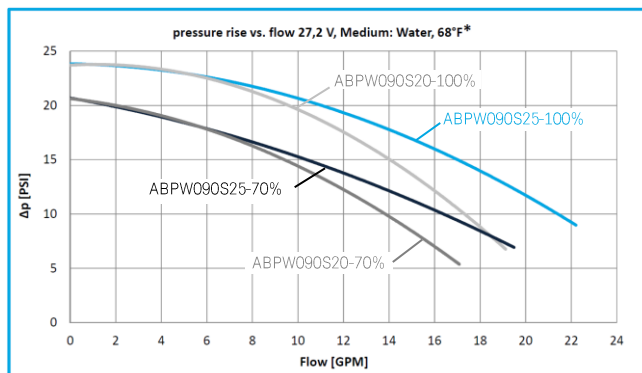
P PWM

#### 8 Voltage

01 12 V (on request)  
02 24 V

#### 9 Index / Customized

U00 standard sales kit US  
U01 mounting option picture 1  
U02 mounting option picture 2  
UXX special / customized specifications; to be advised



\*) Tested and verified according asa standards on asa bench.